

NOBLELIFT

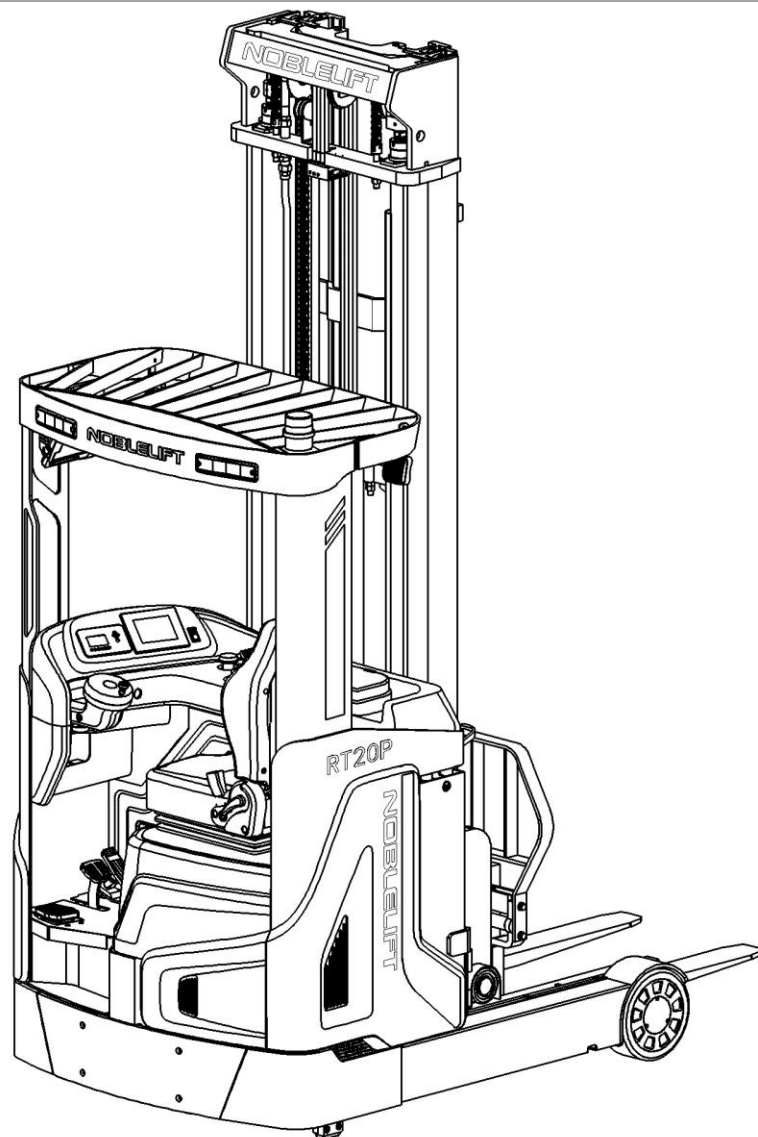


Scan it,
For more information

Service Hotline: 4008-836115

SPARE PARTS LIST

Reach Truck RT20P



Version 04/2020

From truck identification number:

RT20P-20-BPT-001-EN

Catalogue

Fig. 1 Appearance (three stage mast).....	错误!未定义书签。
Fig. 2 Stickers	错误!未定义书签。
Fig. 3 Control panel.....	4
Fig. 4 Battery holder	6
Fig. 5 Load roller assembly	8
Fig. 6 Platform assembly	10
Fig. 7 Oil tank assembly	12
Fig. 8 Reach cylinder assembly	14
Fig. 9 Tilt cylinder assembly	16
Fig. 10 Truck body assembly	18
Fig. 11 Handle assembly	24
Fig. 12 Overhead guard assembly	26
Fig. 13 Truck body hydraulic tube unit (4 tube)	28
Fig. 14 Mast hydraulic tube unit-4 tube (three stage mast)	32
Fig. 15 Electric steering unit.....	42
Fig. 16 Fork frame assembly (three stage mast).....	46
Fig. 17 Outer mast assembly (three stage mast)	50
Fig. 18 Middle mast assembly (three stage mast).....	56
Fig. 19 Inner mast assembly (three stage mast)	60
Fig. 20 Reach frame assembly	66
Fig. 21 Foot brake assembly	70
Fig. 22 Tilt cylinder (left)	72
Fig. 23 Tilt cylinder (right)	74
Fig. 24 Cylinder (three stage mast).....	76
Fig. 25 Cylinder (M)(three stage mast)	错误!未定义书签。
Fig. 26 Reach cylinder	84
Fig. 27 Drive unit	86
Fig. 28 Lifting motor unit	88
Fig. 29 Electrical control components	90
Fig. 30 Wire harness components	92
Fig. 31 Control box assembly	94
Fig. 32 Lifting/ lowering control panel assembly	96
Fig. 33 Brake assembly	98
Easy worn parts list.....	错误!未定义书签。

Fig. 1 Appearance (three stage mast)

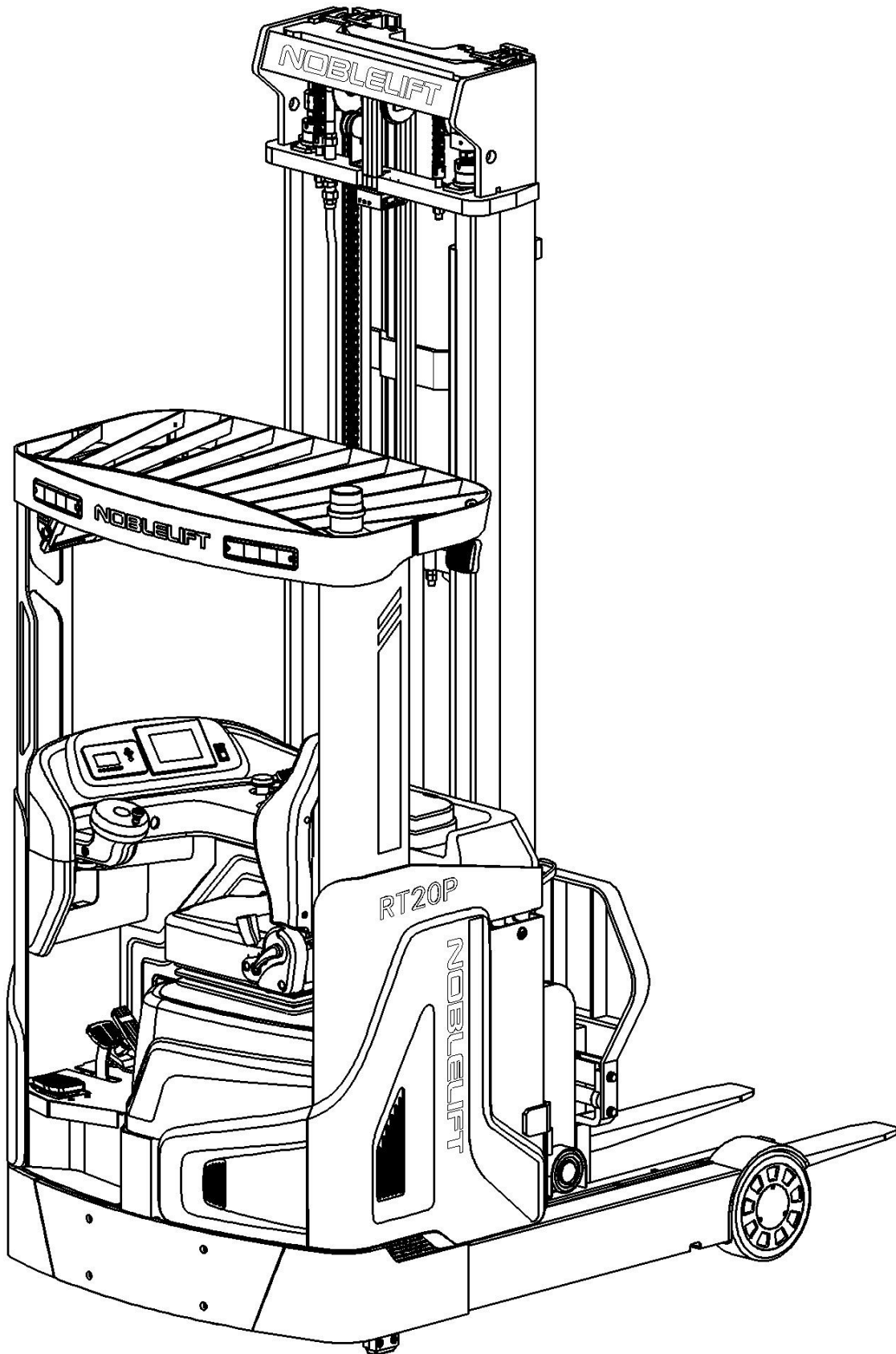


Fig. 2 Stickers

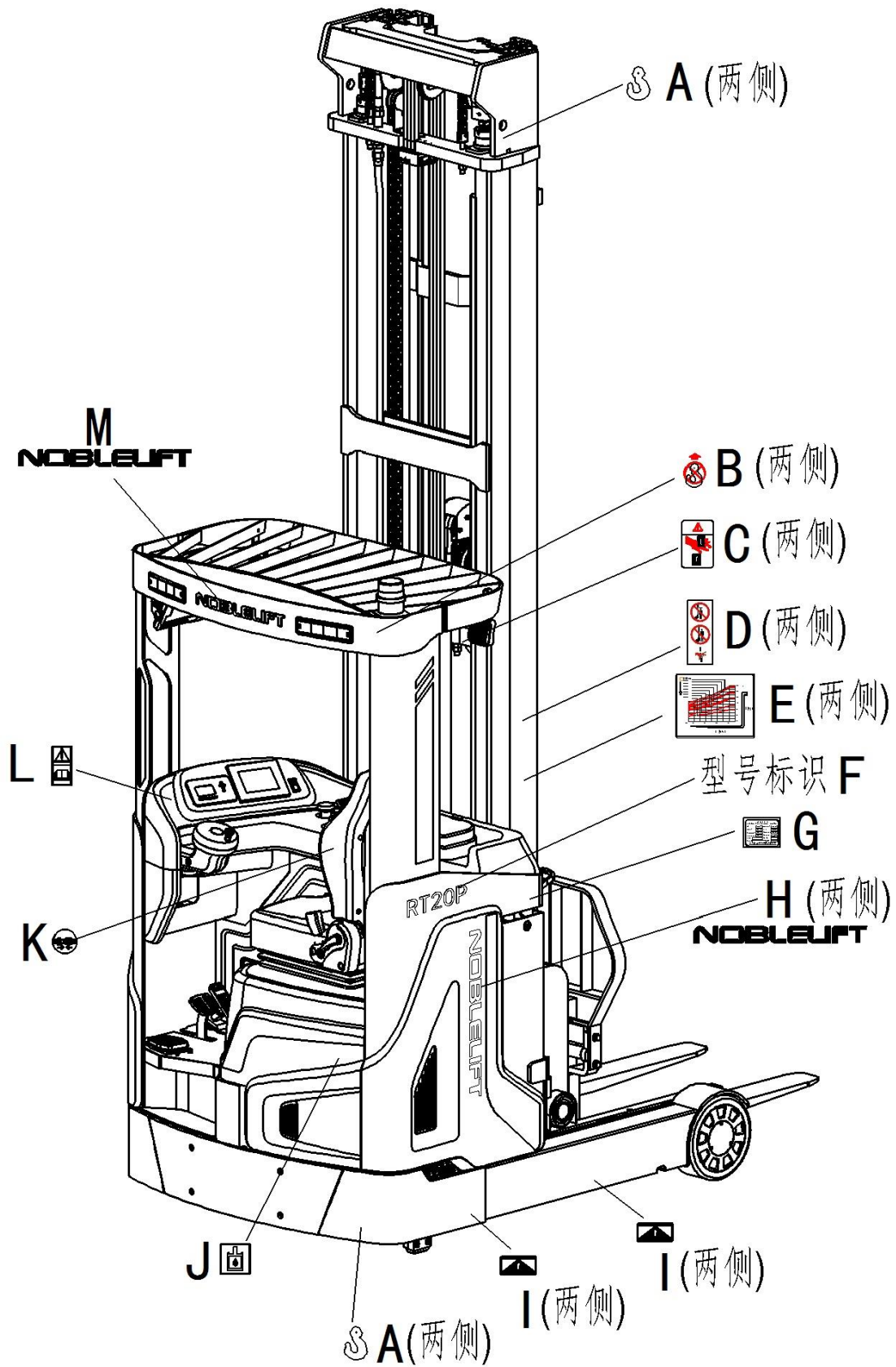


Fig. 2 Stickers

No.	Art No.	Description	Qty.	Note
A	941200300001	Sticker (crane hook)	4	
B	941200100025	Sticker (no hook)	2	
C	941200100027	Warning sticker (hands pinching)	2	
D	941200100004	Warning sticker (combined electric trucks)	2	
E	212147020016	Sticker (load curve)	2	
F	213147020002	Model (RT20P)	1	
G	941200600003	Sticker (ID plate)	1	
H	212147020006	NOBLELIFT (570x53)	1	
I	255047020023	Sticker (fork goods)	4	
J	255047020004	Sticker (hydraulic oil)	1	
K	255047020012	Sticker (safety belt)	1	
L	941200300011	Warning sticker (read and follow the instructions)	1	
M	212147020007	NOBLELIFT (410x38)	1	

Fig. 3 Control panel

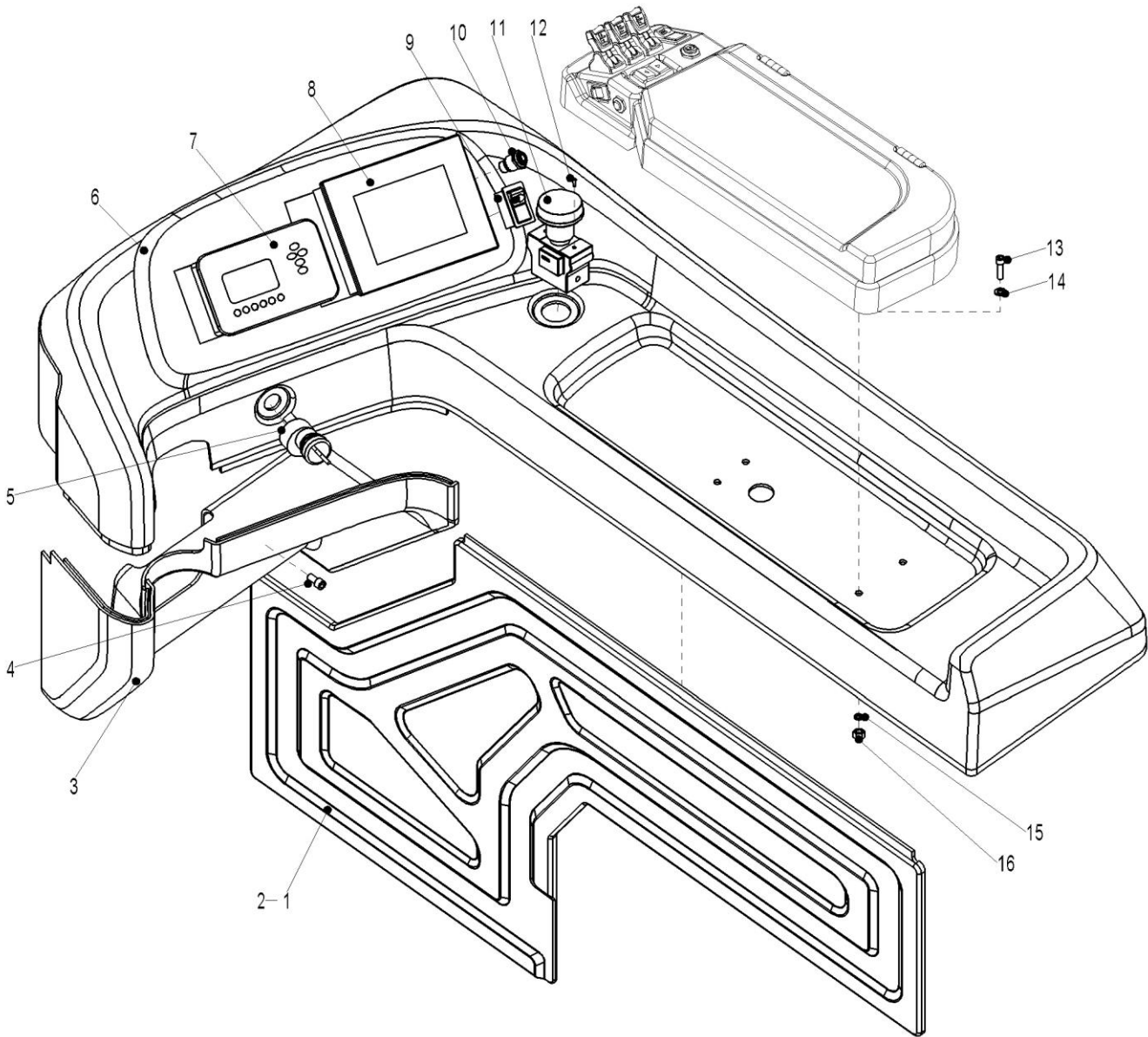


Fig. 3 Control panel

No.	Art No.	Description	Qty.	Note
1	212110020000	Protective cover side plate	1	
2	910200500052	Screw GB818-M6x16-4.8	10	
3	212110020001	Protective cover seal plate	1	
4	910200300017	Screw GB70.2-M6x12-8.8	1	
5	920200200002	Key switch	1	
6	212110020002	Protective cover	1	
7	921100100011	Indicator display 3501-12-80V	1	
8	/	/	1	Optional
9	920200800009	Rocker switch JK932-159-2.1	1	
10	212133510012	Button switch QN19-C1-360 (200mm)	1	
11	920200100005	Emergency stop switch 80229-36	1	
12	910200300013	Screw GB70.2-M5x16-8.8	2	
13	910200200036	Screw GB70.1-M6x20-8.8	4	
14	910400100005	Flat washer GB97.1-6-200HV	4	
15	910400500005	Spring washer GB93-6	4	
16	910300100005	Nut GB6170-M6-10	4	

Fig. 4 Battery holder

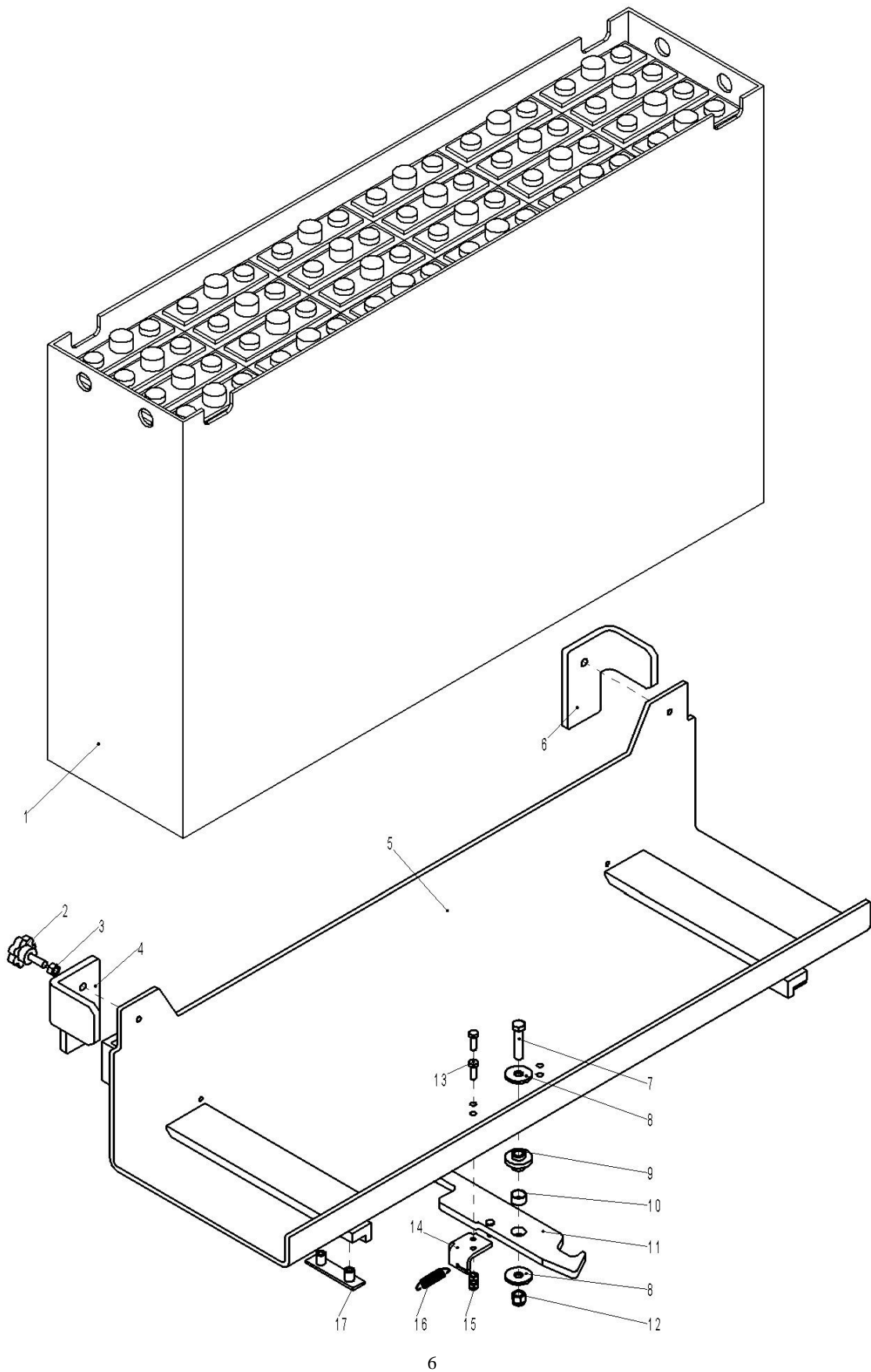


Fig. 4 Battery holder

N o.	Art No.	Description	Qty.	Note
1	213137010000	Battery	1	48V-4PzS560 (welding)
	213137010001			48V-4PzS560 (screwing)
2	911000300002	Grip JB7274.4-10x30	2	
3	910300100007	Nut GB6170-M10-10	2	
4	213012520303	Limited block 1	1	
5	213112510000	Battery holder welding	1	
6	213012520304	Limited block 2	1	
7	910100300055	Bolt GB5783-M12x55-8.8	1	
8	213012520009	Washer $\Phi 40 \times \Phi 13 \times 4$	2	
9	213012520008	Axle seat	1	
10	940500100012	Bushing $\Phi 20 \times \Phi 22 \times 12$ -SF-1	1	
11	213112510011	Hook welding	1	
12	910300500006	Nut GB889.1-M12-10	1	
13	910100300023	Bolt GB5783-M8x25-8.8	2	
14	213012520005	Linking plate	1	
15	910300500004	Nut GB889.1-M8-10	2	
16	213012520006	Tension spring $\Phi 10 \times \Phi 1.6 \times 55$	1	
17	255044020131	Base plate	4	

Fig. 5 Load roller assembly

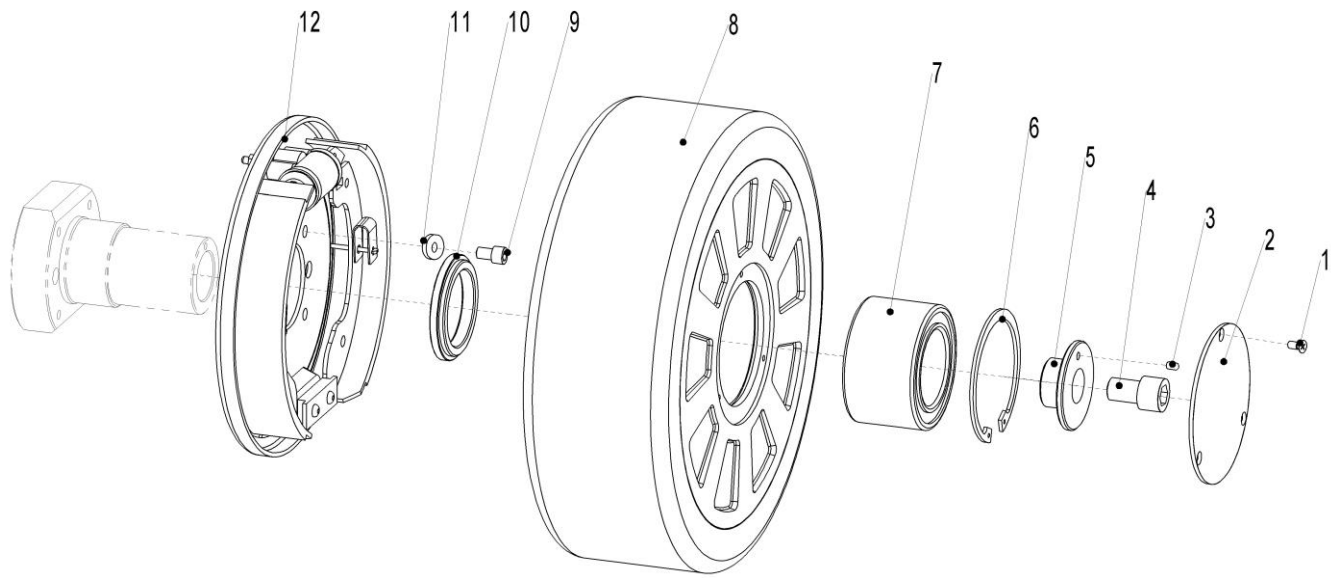


Fig. 5 Load roller assembly

No	Art No.	Description	Qty.	Note
1	910200600016	Screw GB819.1-M5x12-4.8	3	
2	212117020000	Cover plate (load roller)	1	
3	910600100009	Cylindrical pin GB119.2-5x15	1	
4	910202500001	Screw ISO12474-M16x1.5x25-8.8	1	
5	212117020002	Bearing cap	1	
6	910401400024	Circlip for hole GB893.1-90	1	
7	941101000005	Bearing DU55900054ABS	1	
8	940300300035	Wheel Φ 330x110(iron core PU)	1	
9	910100300022	Bolt GB5783-M8x20-8.8	4	
10	212117020001	Washer Φ 75x Φ 55x10	1	
11	910400100006	Flat washer GB97.1-8-200HV	4	
12	940700200004	Rear drum type right brake SH180-3502200	1	

Fig. 6 Platform assembly

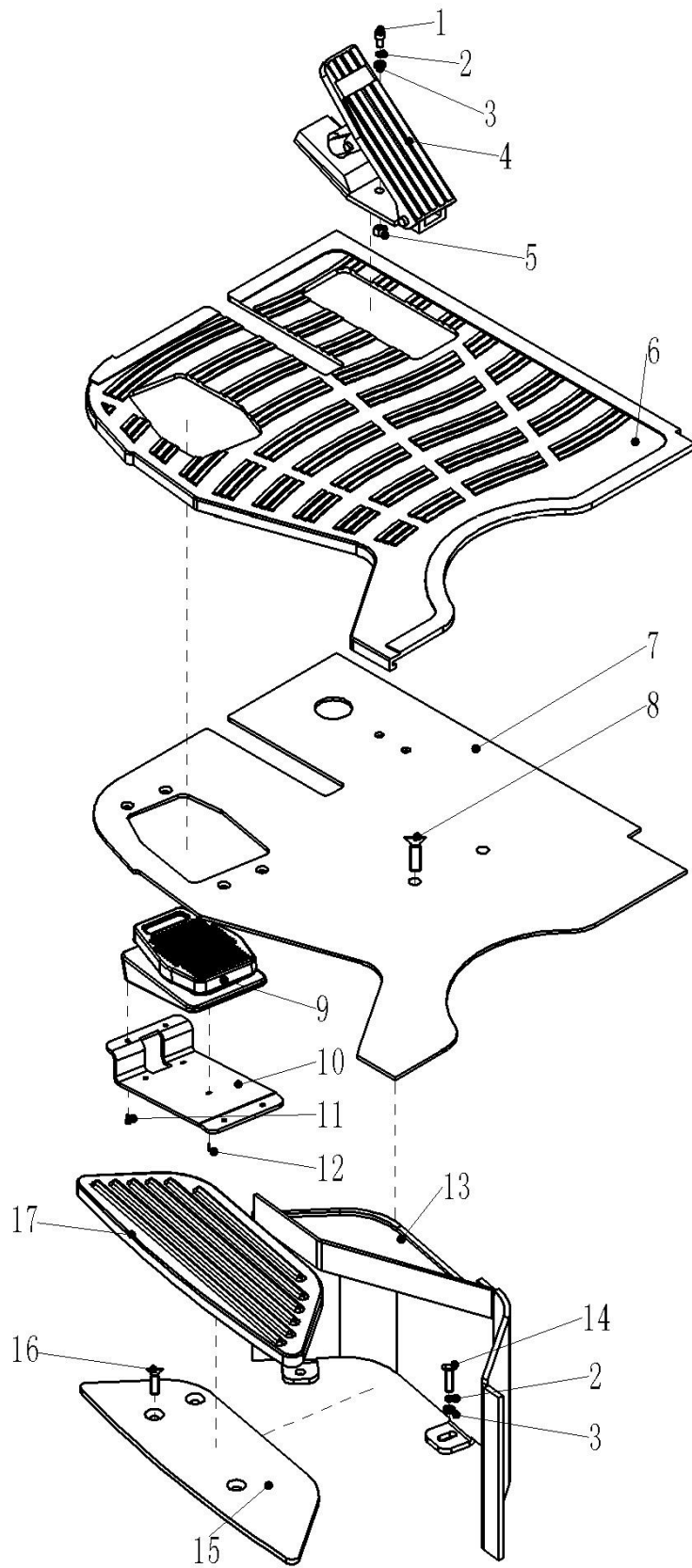


Fig. 6 Platform assembly

N o.	Art No.	Description	Qty.	Note
1	910200200057	Screw GB70.1-M8x20-8.8	2	
2	910400100006	Flat washer GB97.1-8-200HV	4	
3	910400500006	Spring washer GB93-8	4	
4	921700100005	Accelerator FZ3-532-133	1	
5	910300100006	Nut GB6170-M8-10	2	
6	212118020000	Rubber Platform (upper)	1	
7	212118020001	Platform (lift)	1	
8	910200400033	Screw GB70.3-M10x12-8.8	2	
9	212133510019	Pedal switch FS-71S-10-W-2-182(600mm)	1	
10	212118020008	Mounting plate (safety switch)	1	
11	910200400009	Screw GB70.3-M5x8-8.8	4	
12	212198520048	Screw M3.5x16	3	
13	212118010000	Frame welding	1	
14	910100300022	Bolt GB5783-M8x20-8.8	2	
15	212118010001	Platform welding	1	
16	910200400026	Screw GB70.3-M8x25-8.8	3	
17	212118020002	Rubber platform (under)	1	

Fig. 7 Oil tank assembly

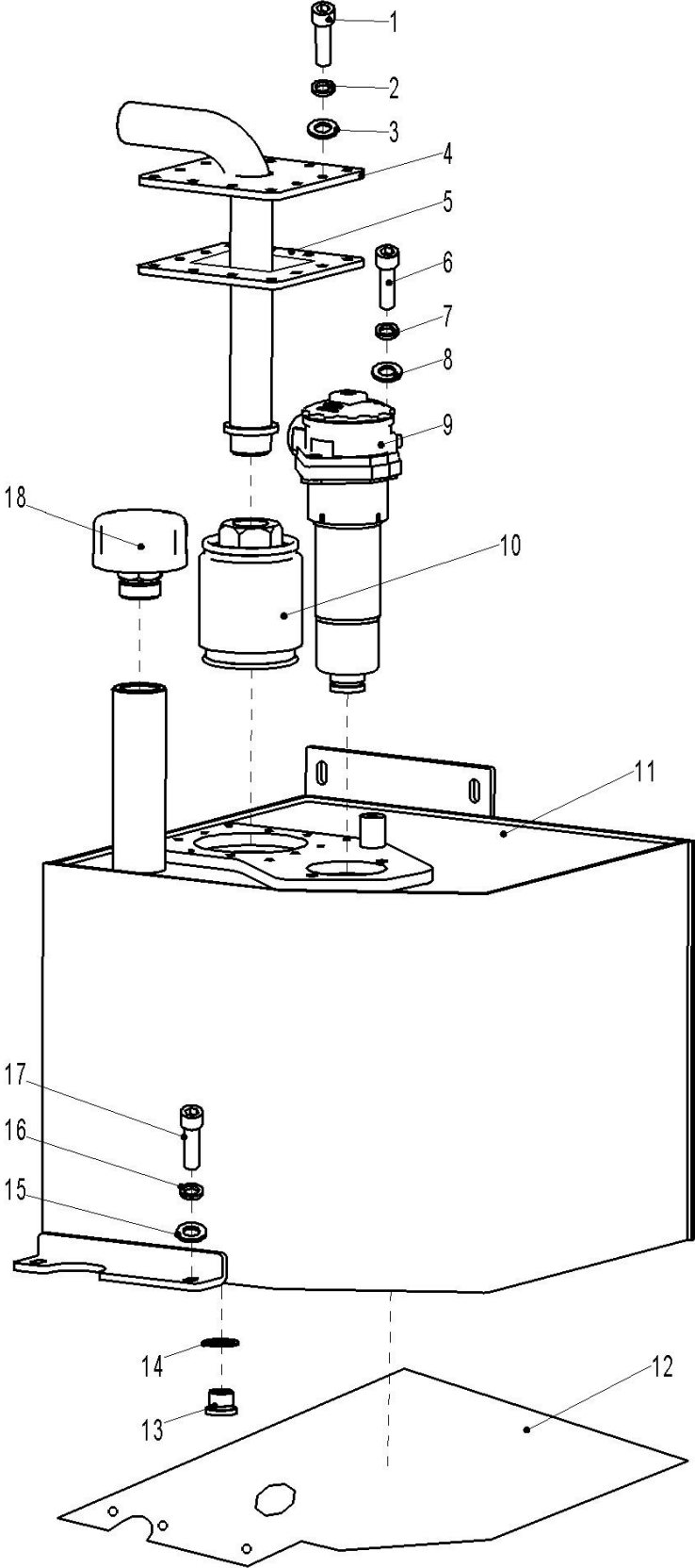


Fig. 7 Oil tank assembly

No.	Art No.	Description	Qty.	Note
1	910200200035	Screw GB70.1-M6x16-8.8	12	
2	910400500005	Spring washer GB93-6	12	
3	910400100005	Flat washer GB97.1-6-200HV	12	
4	212119010001	Oil tank cap welding	1	
5	212119020001	Gasket	1	
6	910200200077	Screw GB70.1-M10x30-8.8	2	
7	910400500007	Spring washer GB93-10	2	
8	910400100007	Flat washer GB97.1-10-200HV	2	
9	951000300003	Oil return filter RAF0063F010NB12VN	1	
10	951000400001	Oil suction filter H24C7-50302	1	
11	212119010000	Oil tank welding	1	
12	212119020000	Rubber pad	1	
13	255019020015	Oil drain plug M20x1.5	1	
14	910800900001	Washer kits JB982-20	1	
15	910400100006	Flat washer GB97.1-8-200HV	4	
16	910400500006	Spring washer GB93-8	4	
17	910200200058	Screw GB70.1-M8x25-8.8	4	
18	951100200005	Vent plug M33x2	1	

Fig. 8 Reach cylinder assembly

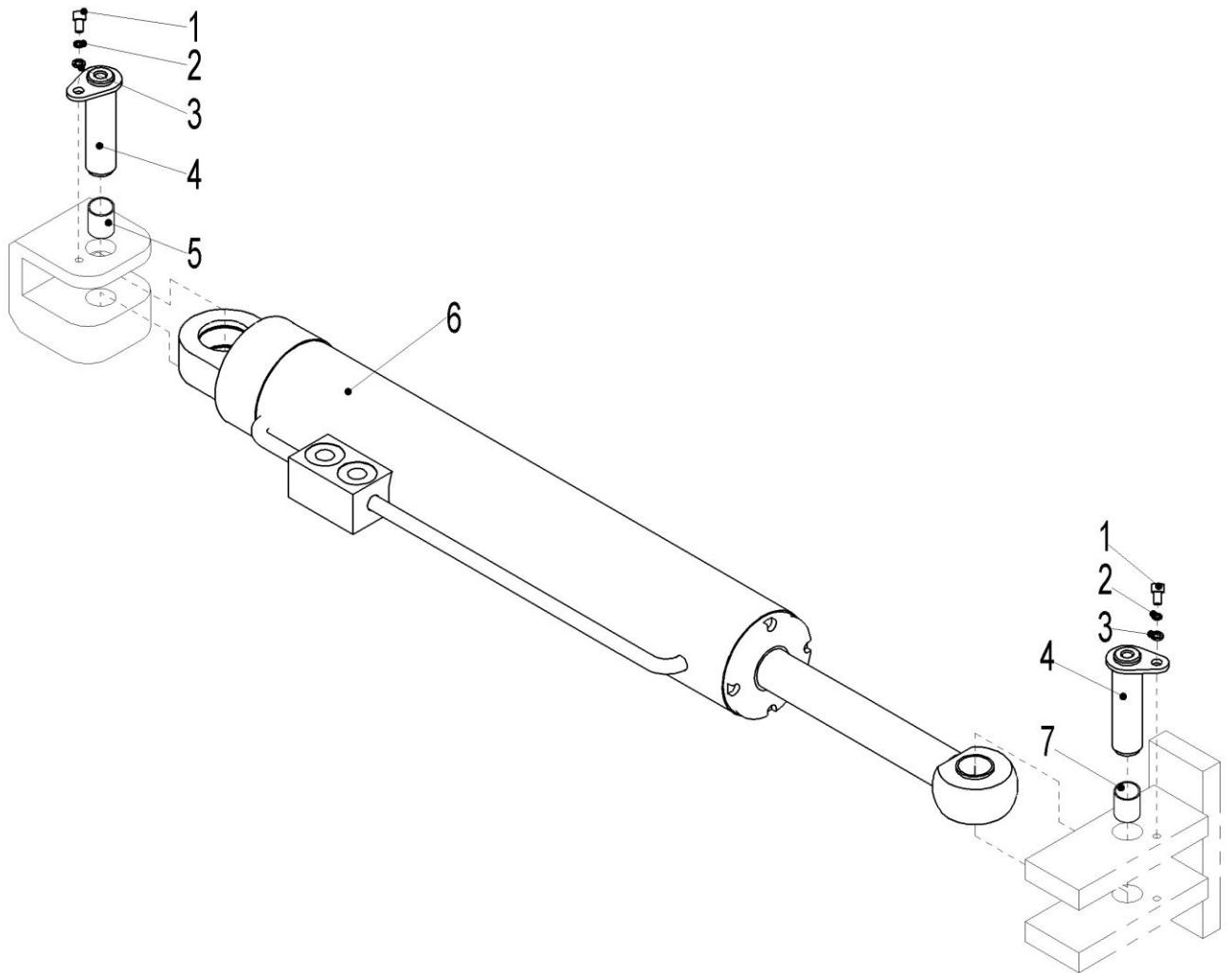


Fig. 8 Reach cylinder assembly

No.	Art No.	Description	Qty.	Note
1	910200200034	Screw GB70.1-M6x14-8.8	2	
2	910400500005	Spring washer GB93-6	2	
3	910400100005	Flat washer GB97.1-6-200HV	2	
4	212120010001	Trunnion $\Phi 20 \times 70$	2	
5	212120020002	Axle sleeve $\Phi 25 \times \Phi 20 \times 28$	1	
6	213120010000	Cylinder (Q) $\Phi 63 \times \Phi 28 \times 595$	1	
7	212120020003	Axle sleeve $\Phi 25 \times \Phi 20 \times 32$	1	

Fig. 9 Tilt cylinder assembly

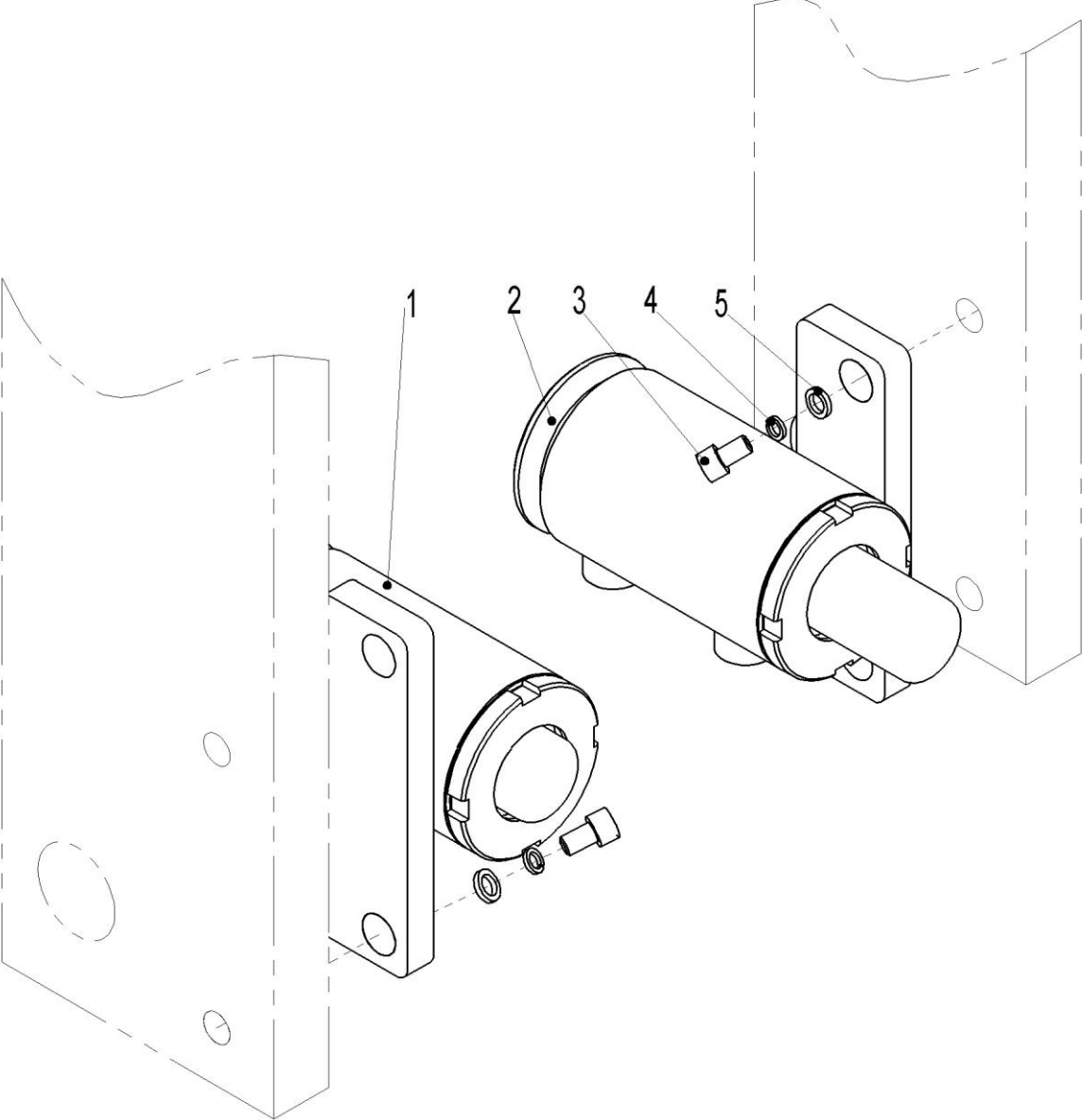


Fig. 9 Tilt cylinder assembly

No.	Art No.	Description	Qty.	Note
1	212120510001	Tilt cylinder (right)	1	
2	212120510000	Tilt cylinder (left)	1	
3	910100300063	Bolt GB5783-M14x35-8.8	4	
4	910400500009	Spring washer GB93-14	4	
5	910400100009	Flat washer GB97.1-14-200HV	4	

Fig. 10 Truck body assembly

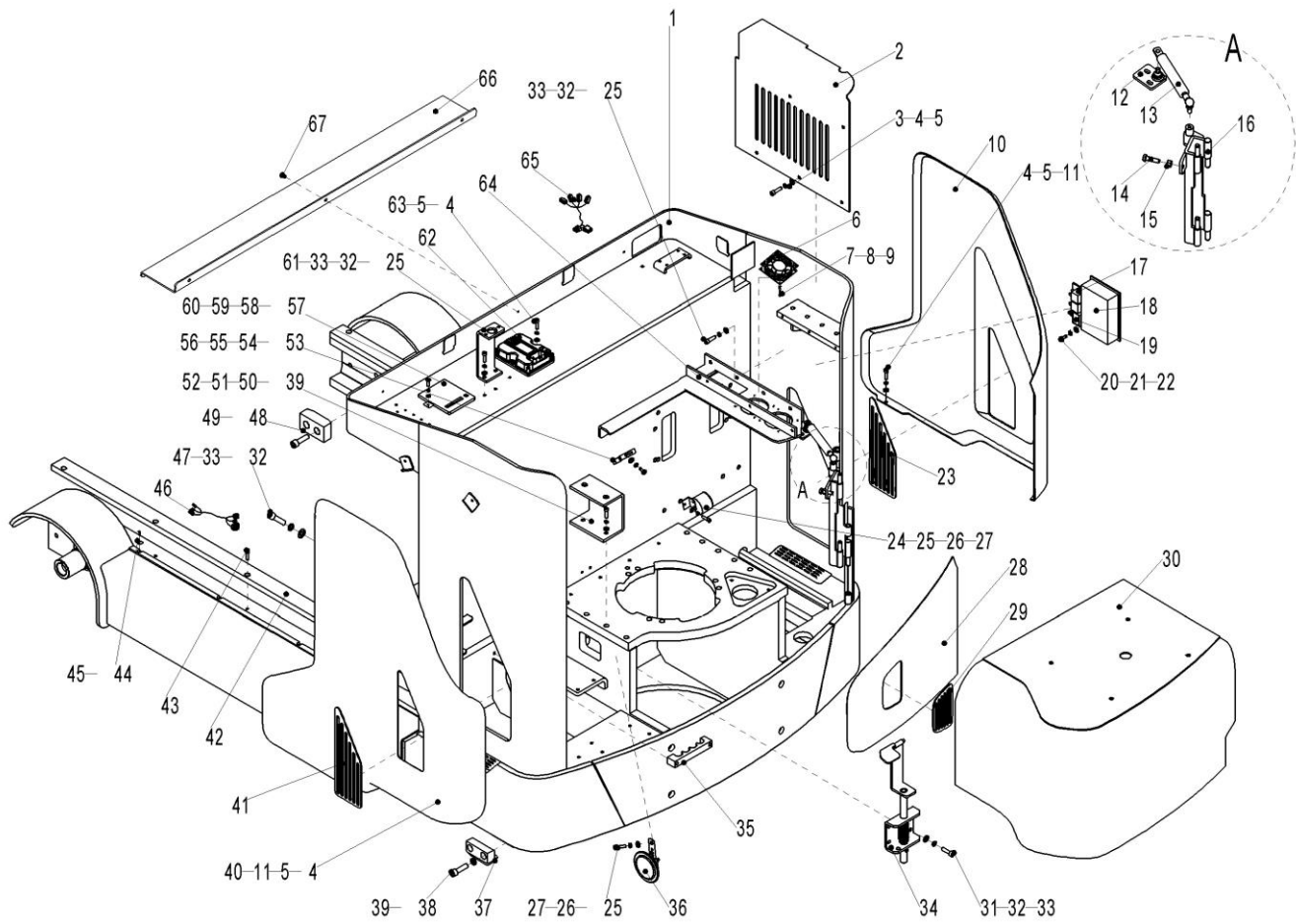


Fig. 10 Truck body assembly

No.	Art No.	Description	Qty.	Note
1	213121510000	Chassis welding	1	
2	212121510005	Rear cover welding	1	
3	910200300017	Screw GB70.2-M6x12-8.8	6	
4	910400500005	Spring washer GB93-6	16	
5	910400100005	Flat washer GB97.1-6-200HV	16	
6	212133510018	Fan DC24V-80X80(150mm)	2	
7	910200500028	Screw GB818-M4x30-4.8	8	
8	910400500003	Spring washer GB93-4	8	
9	910400100003	Flat washer GB97.1-4-200HV	8	
10	212121520092	Side cover plate (right) welding	1	
11	910200200036	Screw GB70.1-M6x20-8.8	10	
12	212121510008	Fixing seat welding (gas spring)	1	
13	212121520048	Gas spring 200N(D209)	1	
14	910100300024	Bolt GB5783-M8x30-8.8	1	
15	910300100006	Nut GB6170-M8-10	1	
16	212121510002	Hinge welding (side door)	1	
17	920800100001	Relay DC24V-ACR01F-F-1C	2	
18	921900100014	Converter ZTDC-4824	1	
19	922000100005	Lamp SG252-24V	1	
20	910200500037	Screw GB818-M5x10-4.8	7	
21	910400500004	Spring washer GB93-5	7	
22	910400100004	Flat washer GB97.1-5-200HV	7	
23	212121520101	Vent plate (right)	1	

Fig. 10 Truck body assembly

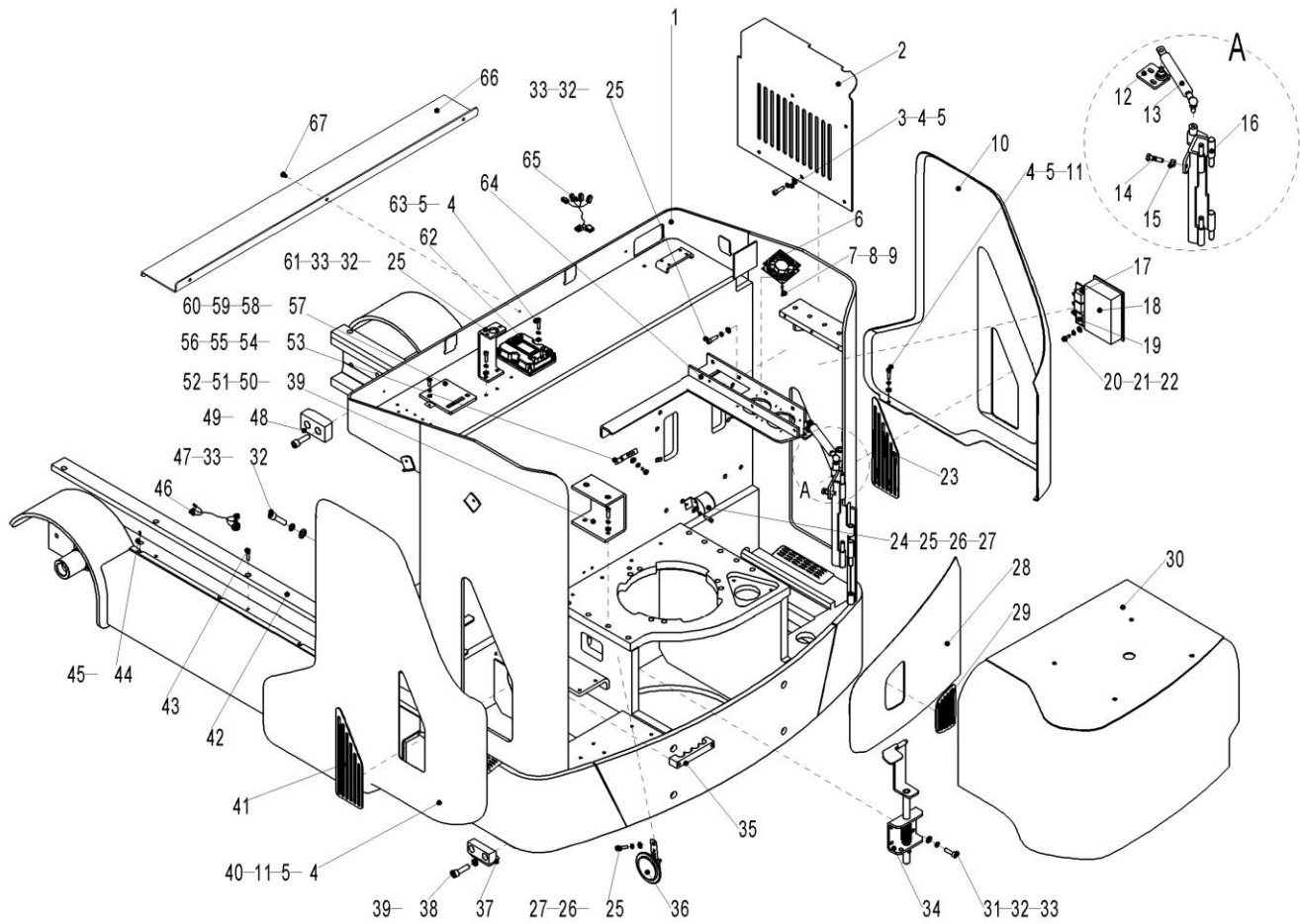


Fig. 10 Truck body assembly

No.	Art No.	Description	Qty.	Note
24	920500100002	Horn buzzer DJB-24B	1	
25	910200200055	Screw GB70.1-M8x16-8.8	8	
26	910400500006	Spring washer GB93-8	2	
27	910400100006	Flat washer GB97.1-8-200HV	2	
28	212121520091	Cover plate (front) welding	1	
29	212121520102	Vent plate (front panel)	1	
30	212121520090	Motor cover welding	1	
31	910200200060	Screw GB70.1-M8x35-8.8	4	
32	910400500006	Spring washer GB93-8	12	
33	910400100006	Flat washer GB97.1-8-200HV	12	
34	212121501001	Handle assembly	1	
35	212121520064	Fixing plate (oil tube)	1	
36	920500100001	Horn 125-DC24V	1	
37	212121520068	Support foot	2	
38	910200200099	Screw GB70.1-M12x35-8.8	4	
39	910400500008	Spring washer GB93-12	6	
40	212121520093	Side cover plate (left)welding	1	
41	212121520100	Vent plate (left)	1	
42	213121520000	Linear guideway	2	
43	910200200058	Screw GB70.1-M8x25-8.8	8	
44	212121520075	Pressing plate (brake tube)	8	
45	910200300011	Screw GB70.2-M5x10-8.8	8	
46	212133010014	Chassis transition wire harness	1	

Fig. 10 Truck body assembly

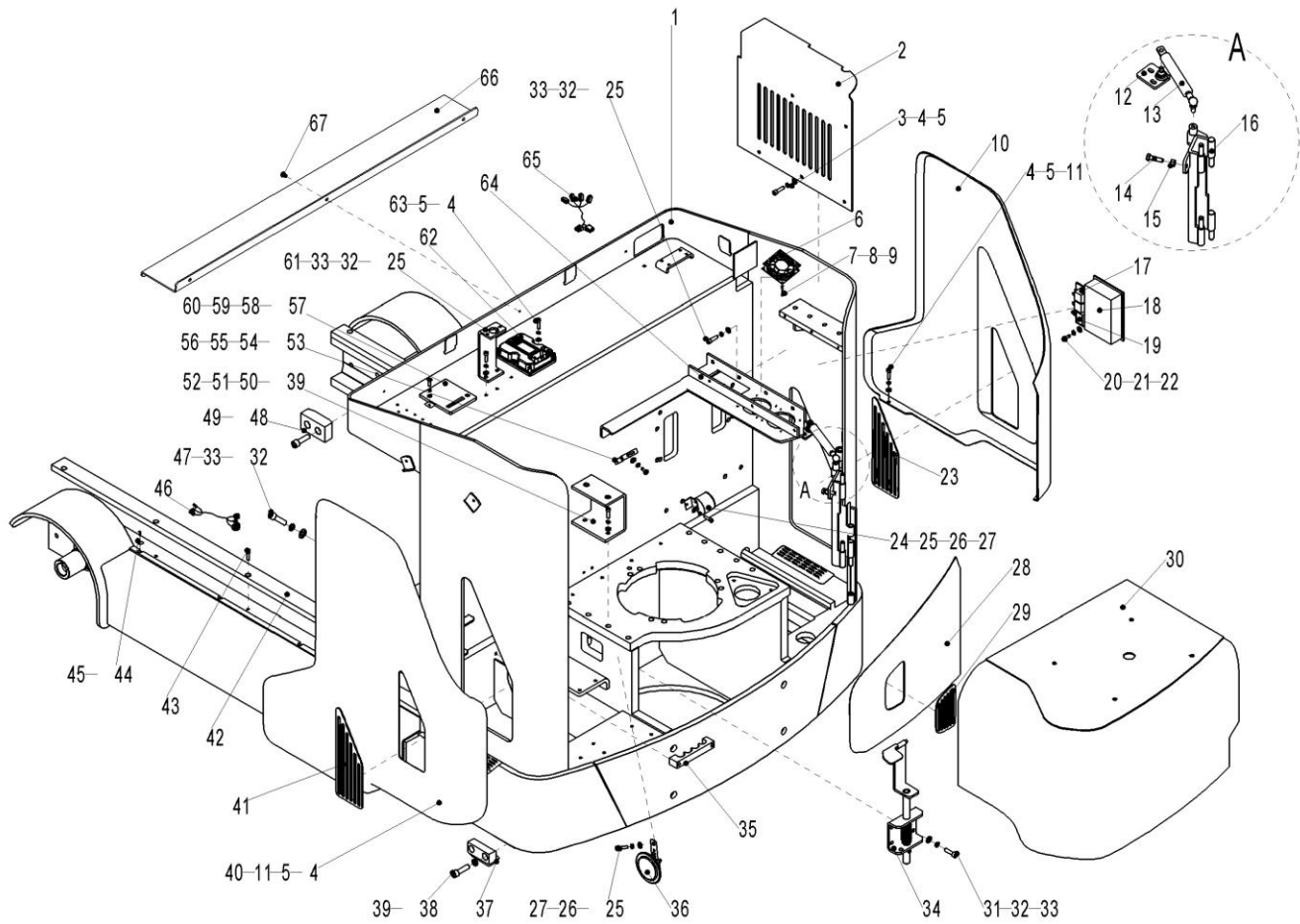


Fig. 10 Truck body assembly

No.	Art No.	Description	Qty.	Note
47	910200200065	Screw GB70.1-M8x60-8.8	2	
48	216521520001	Bumper block	2	
49	910200200098	Screw GB70.1-M12x30-8.8	4	
50	212121520047	Fixing plate (Platform (lift)	1	
51	910100300096	Bolt GB5783-M12x60-12.9	2	
52	910400100008	Flat washer GB97.1-12-200HV	2	
53	921300300005	Connector 2cores seat	3	
54	910200500037	Screw GB818-M5x10-4.8	6	
55	910400500004	Spring washer GB93-5	6	
56	910400100004	Flat washer GB97.1-5-200HV	6	
57	921400100115	Controller 1356P-4101	1	
58	910200500022	Screw GB818-M4x12-4.8	2	
59	910400500003	Spring washer GB93-4	2	
60	910400100003	Flat washer GB97.1-4-200HV	2	
61	212121520008	Fixing plate (emergency stop)	1	
62	921400100113	Controller 1353-6104	1	
63	910200200035	Screw GB70.1-M6x16-8.8	2	
64	212121510006	Fixing seat (welding)	1	
65	212133010016	Control box wire harness	1	
66	213121520011	Protective plate (battery)	1	
67	941100100001	Screw M8x12-8.8	3	

Fig. 11 Handle assembly

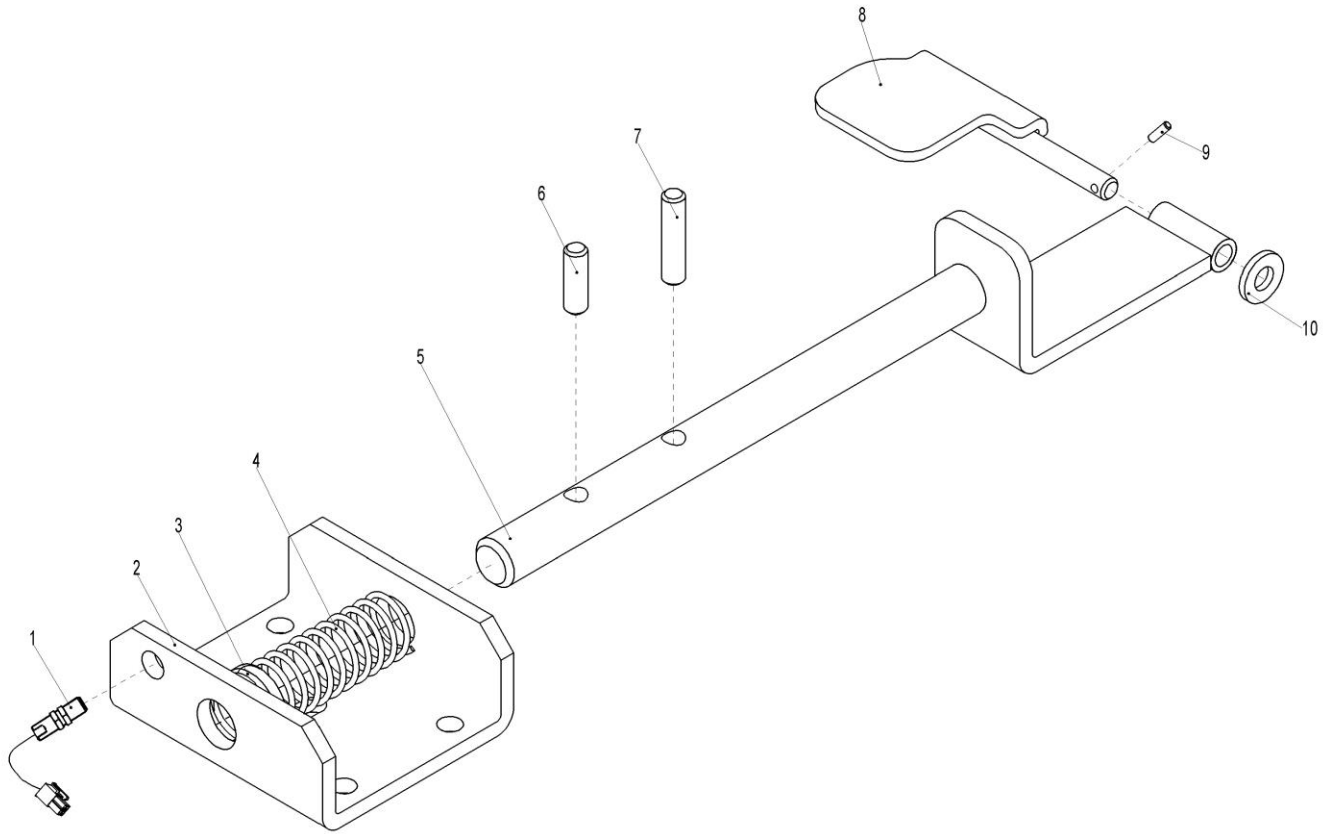


Fig. 11 Handle assembly

No.	Art No.	Description	Qty	Note
1	212133510007	Proximity switch Fi4-G12-OP6L-L70PNP(2	1	
2	212121520050	Fixing plate	1	
3	212121520052	Washer Ø26xØ18.2x4	1	
4	212121520051	Spring Ø20xØ2x75	1	
5	212121510004	Axle welding	1	
6	910600400044	Cylindrical spring pin 8x26	1	
7	910600400046	Cylindrical spring pin 8x40	1	
8	212121510003	Handle welding	1	
9	910600400002	Cylindrical spring pin GB879.1-3x12	1	
10	910400100006	Flat washer GB97.1-8-200HV	1	

Fig. 12 Overhead guard assembly

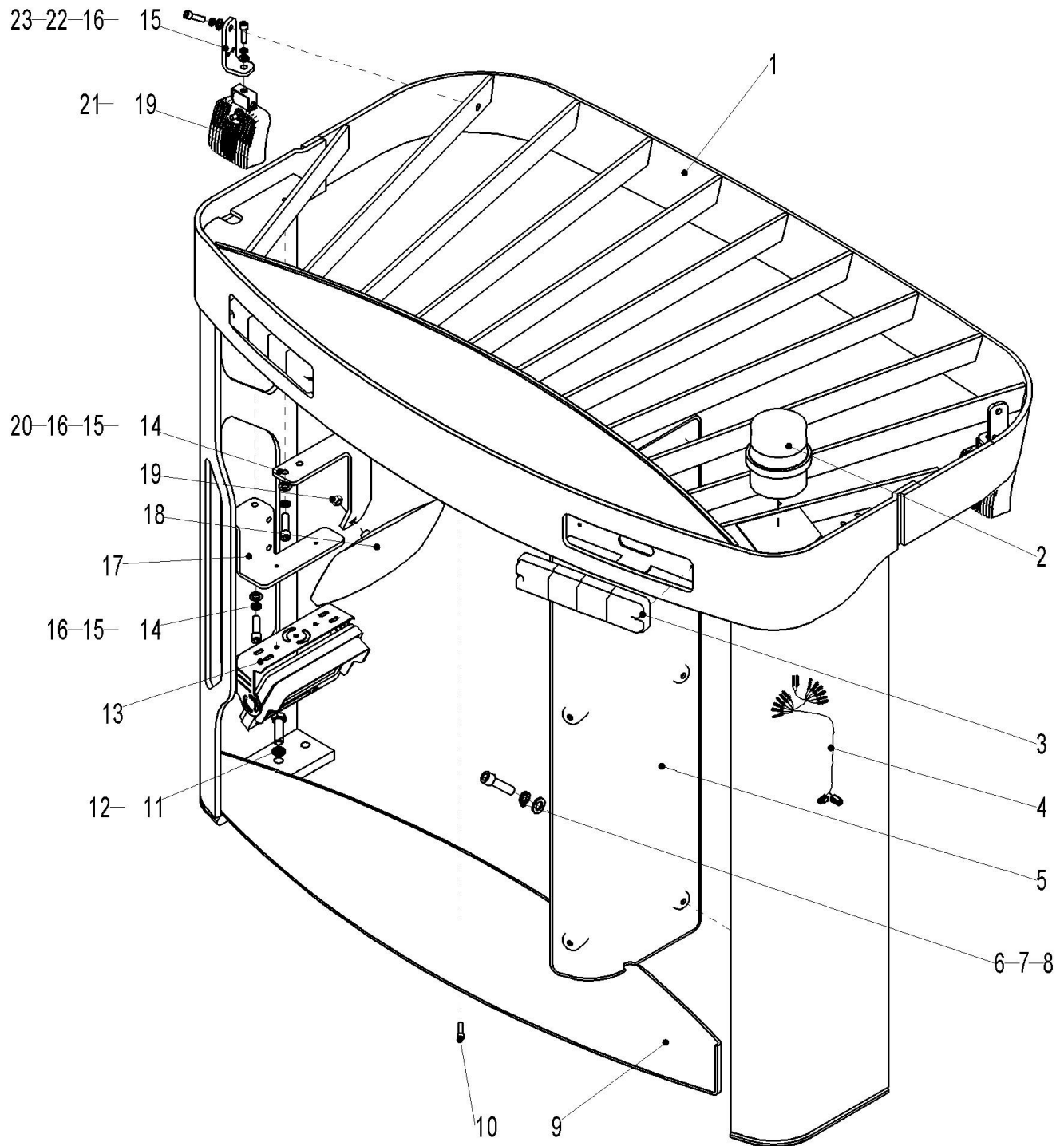


Fig. 12 Overhead guard assembly

No.	Art No.	Description	Qty.	Note
1	212122010000	Overhead guard welding	1	
2	922000100004	Lamp PDL-LXJD-01Y	1	
3	922000100003	Lamp PDL-LXHW-2	2	
4	212133010013	Working lamp cable	1	
5	212122020021	Rear mast cover	1	
6	910200300017	Screw GB70.2-M6x12-8.8	6	
7	910400500005	Spring washer GB93-6	6	
8	910400100005	Flat washer GB97.1-6-200HV	6	
9	212122020020	Overhead guard cover	1	
10	910200300017	Screw GB70.2-M6x12-8.8	1	
11	910200300037	Screw GB70.2-M12x40-8.8	8	
12	910400500008	Spring washer GB93-12	8	
13	921100100058	Display MWHD-772S	1	
14	910200200055	Screw GB70.1-M8x16-8.8	4	
15	910400500006	Spring washer GB93-8	8	
16	910400100006	Flat washer GB97.1-8-200HV	8	
17	212122020018	Display mounting board	1	
18	940800100001	Inner rear-view mirror EQ-140	1	
19	910300100006	Nut GB6170-M8-10	5	
20	212122020022	Rear-view mirror holder	1	
21	922000100001	Lamp PDL-LXZM-1	2	
22	910200200058	Screw GB70.1-M8x25-8.8	4	
23	212122020023	Mounting plate (big lamp)	2	

Fig. 13 Truck body hydraulic tube unit (4 tube)

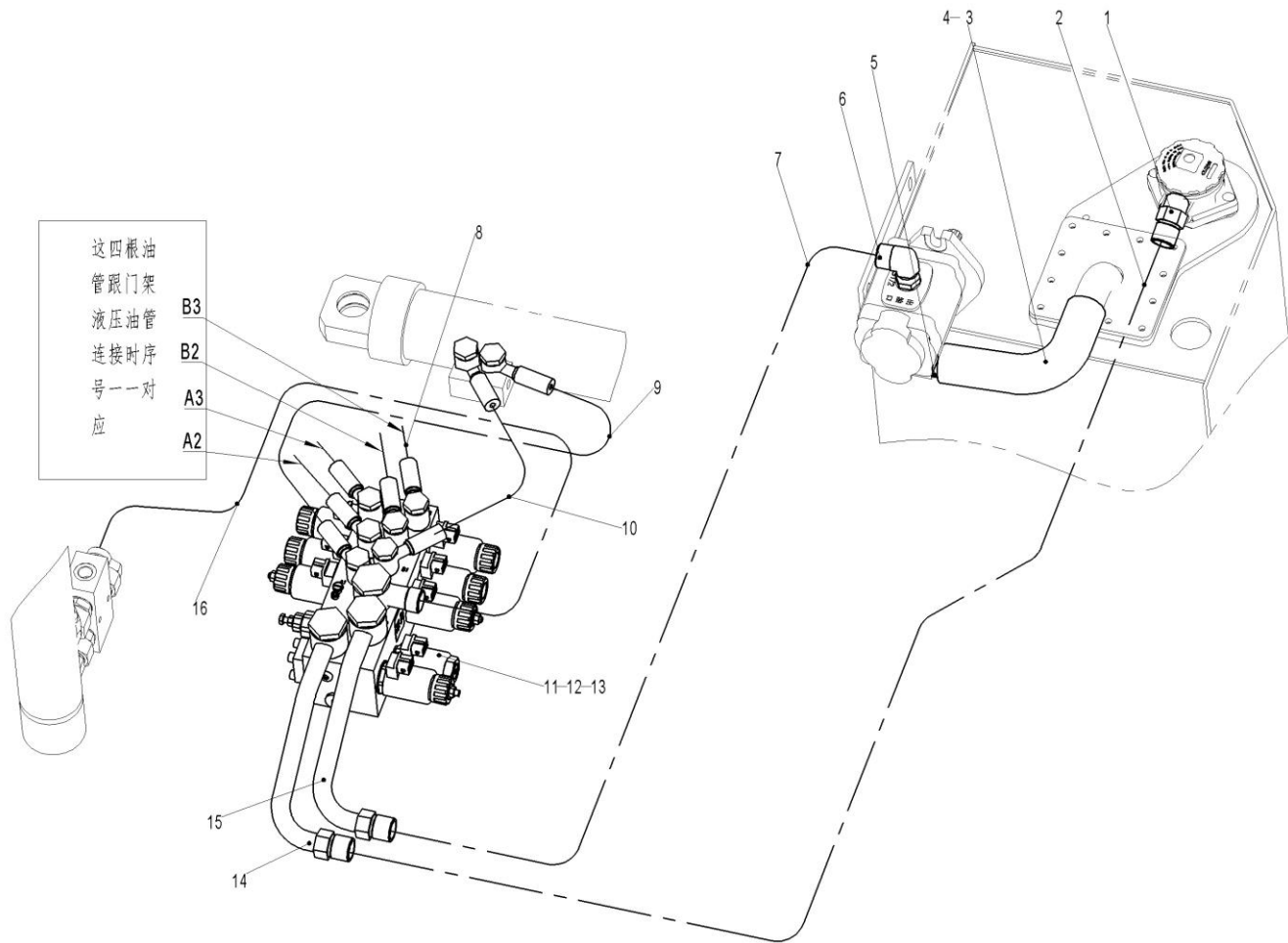


Fig. 13 Truck body hydraulic tube unit (4 tube)

No.	Art No.	Description	Qty.	Note
1	950400300016	Joint (straight)	1	18-G3/4-M26x1.5-24°
2	212125020000	Hydraulic tube assembly (straight)	1	18-L2000-1SC-24°
3	212125020001	Oil suction tube $\Phi 44 \times \Phi 34$	1	
4	911000600006	Hose clamp QC/T390-(40-45)	2	
5	216525020008	Joint (bent) G1- $\Phi 34$	1	
6	950401100005	Joint (bent-0R)	1	18-G1/2-M26x1.5-24°
7	212125020002	Hydraulic tube assembly (90°)	1	18-L1400-2SC-24°
8	212125020015	Hydraulic tube assembly (straight) $\Phi 6$	4	4500
	212125020026			5000
	212125020027			5500
	212125020018			6000
	212125020019			6500
	212125020020			7000
	212125020021			7500
	212125020022			8000
	212125020023			8500
	212125020024			9000
212125020025	9500			
9	212125020003	Hydraulic tube assembly (straight)	1	$\Phi 6$ -L525
10	212125020004	Hydraulic tube assembly (with hinged bolt)	1	8 (latus rectum)-L285-1SC
11	950600100023	Hydraulic valve group BH-AV7000-24V	1	
12	910400500006	Spring washer	3	GB93-8
13	910200200055	Screw	3	GB70.1-M8x16-8.8

Fig. 13 Truck body hydraulic tube unit (4 tube)

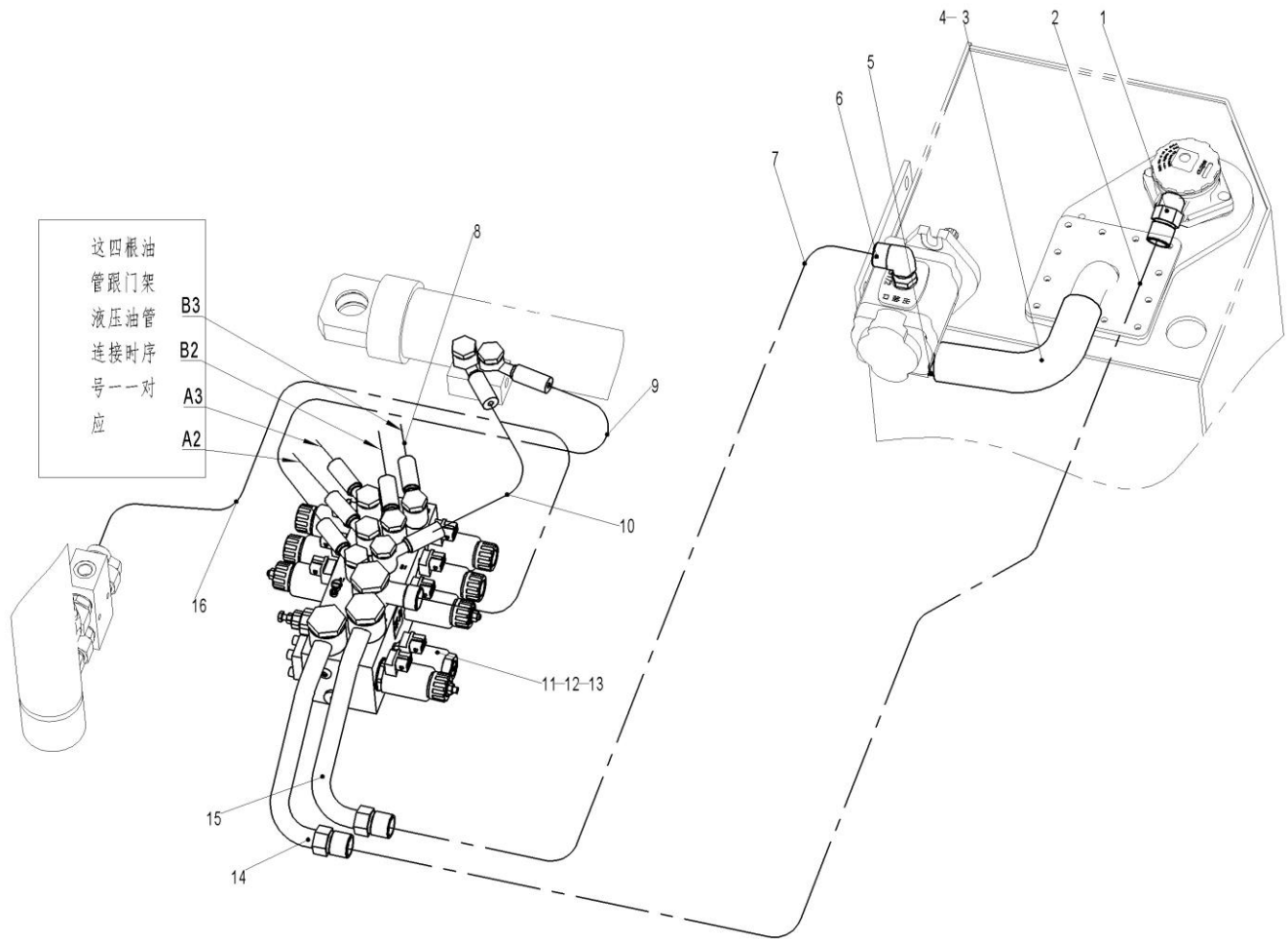


Fig. 13 Truck body hydraulic tube unit (4 tube)

No.	Art No.	Description	Qty.	Note
14	212125020005	Steel tube welding (oil return)	1	
15	212125020006	Steel tube welding(oil suction)	1	
16	212125020007	Hydraulic tube assembly (90°hinged)	1	18-L820-2SC-24°

Fig. 14 Mast hydraulic tube unit-4 tube (three stage mast)

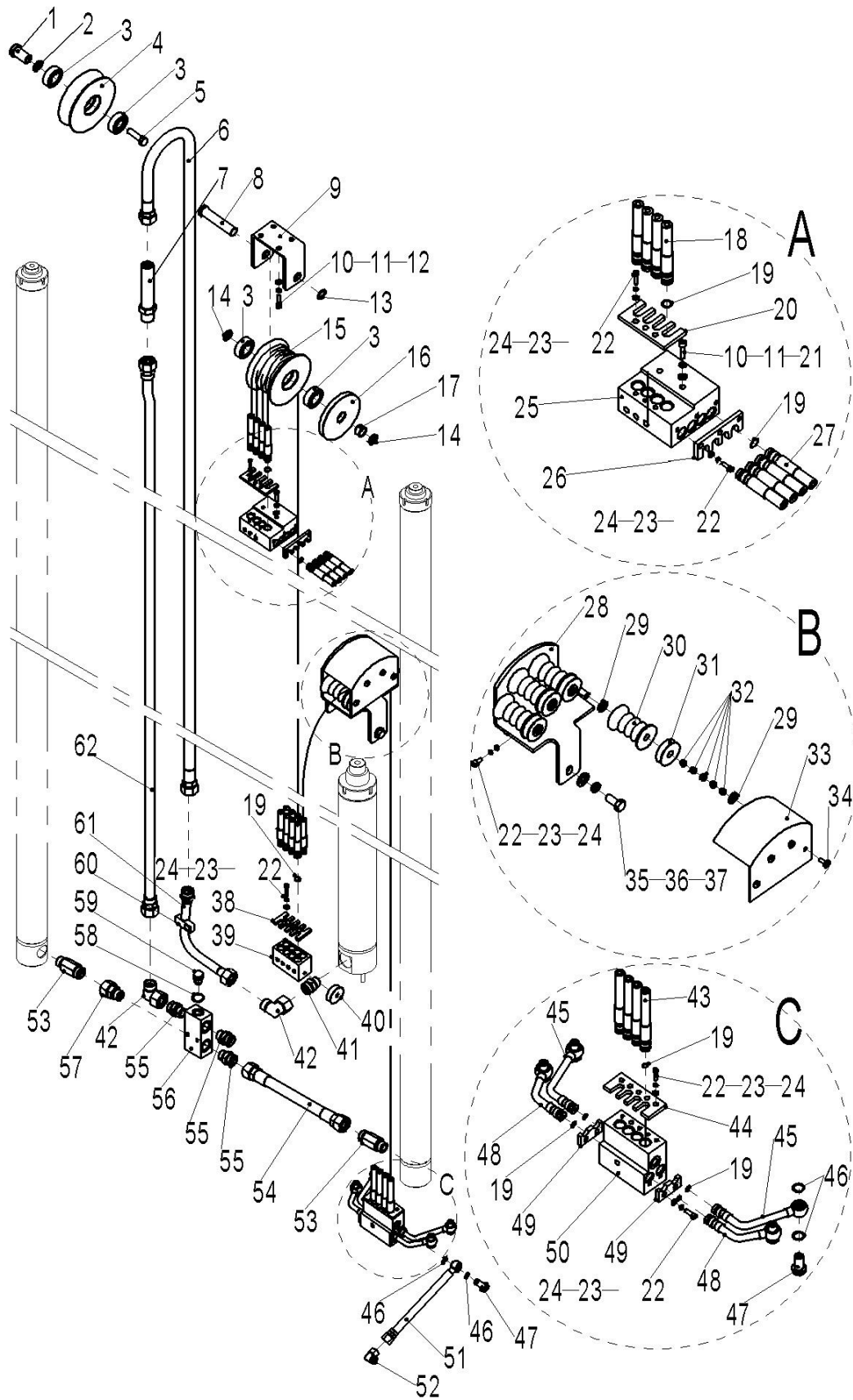


Fig. 14 Mast hydraulic tube unit-4 tube (three stage mast)

No.	Art No.	Description	Qty.	Note
1	212144520051	Trunnion $\Phi 20 \times 36.5$	1	
2	212144520052	Washer $\text{Ø}28 \times \text{Ø}12.5 \times 5$	1	
3	910700200019	Bearing GB276-6204-2RS	4	
4	212144520050	Pulley $\text{Ø}126 \times 36$ (single groove)	1	
5	910100300057	Bolt GB5783-M12x70-8.8	1	
6	212144520130	Hydraulic tube assembly (straight) 18	1	4500
	212144520131			5000
	212144520132			5500
	212144520133			6000
	212144520134			6500
	212144520135			7000
	212144520136			7500
	212144520137			8000
	212144520138			8500
	212144520139			9000
212144520140	9500			
7	950400500003	Joint (straight) 18-M26x1.5-M26x1.5-24°	1	
8	212144520057	Trunnion $\text{Ø}20 \times 110$	1	
9	212144520044	Mounting seat 1(Pulley)	1	
10	910400100006	Flat washer GB97.1-8-200HV	10	
11	910400500006	Spring washer GB93-8	15	
12	910200200058	Screw GB70.1-M8x25-8.8	13	

Fig. 14 Mast hydraulic tube unit-4 tube (three stage mast)

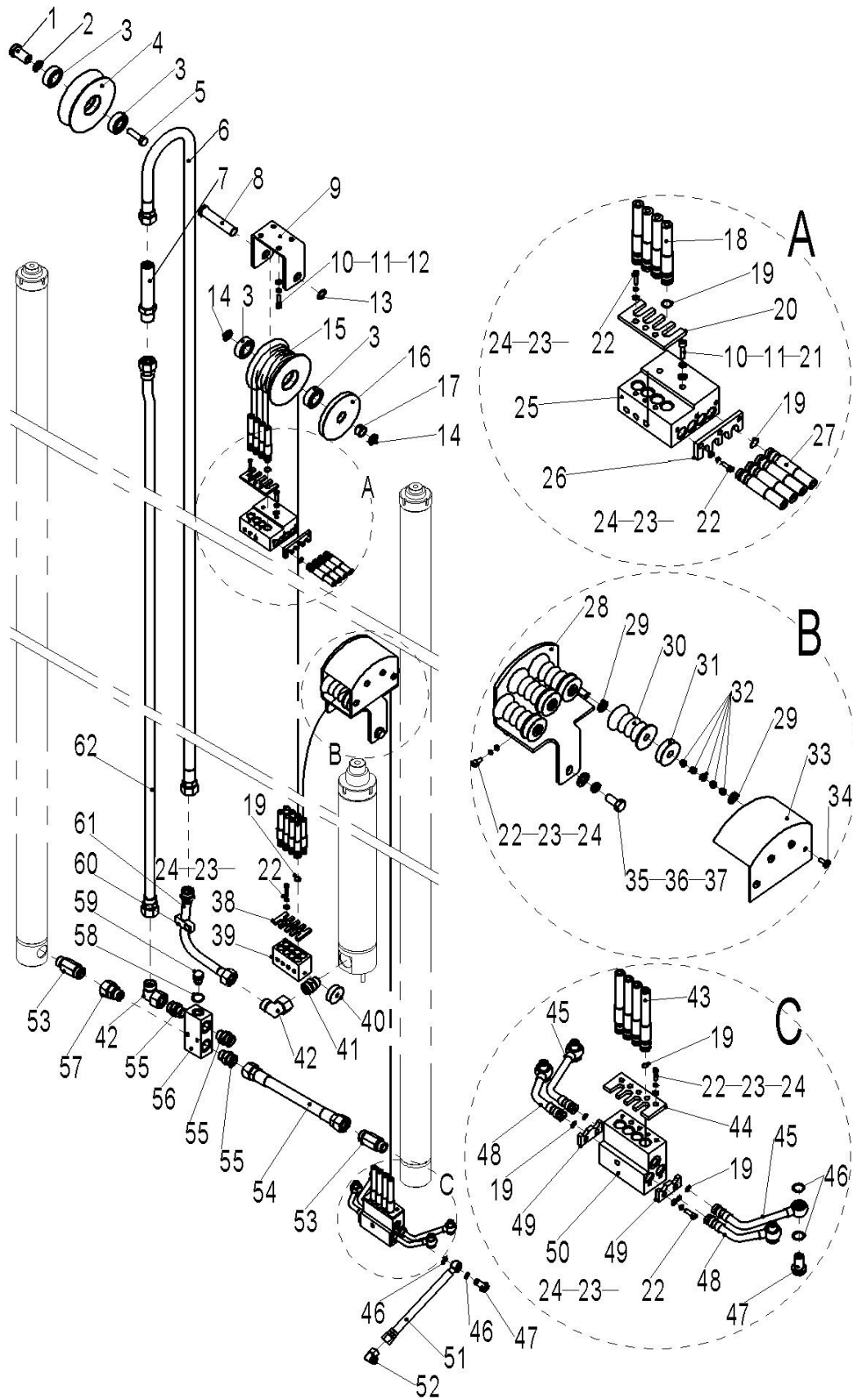


Fig. 14 Mast hydraulic tube unit-4 tube (three stage mast)

No.	Art No.	Description	Qty.	Note
13	910401300011	Circlip for axle GB894.1-20	1	
14	212144520056	Washer Ø28xØ20.5x3.5	2	
15	212144520053	Pulley Ø114x72 (4 groove)	1	
16	212144520054	Pulley Ø110x12(single groove)	1	
17	940500100016	Bushing Φ20xΦ23x14-SF-1	1	
18	212144520100	Hydraulic tube assembly (straight) Φ6	4	4500
	212144520101			5000
	212144520102			5500
	212144520103			6000
	212144520104			6500
	212144520105			7000
	212144520106			7500
	212144520107			8000
	212144520108			8500
	212144520109			9000
212144520110	9500			
19	910800100124	O ring -external 10x2.65	26	
20	212144520045	Snap-gauge 1	1	
21	910200200062	Screw GB70.1-M8x45-8.8	2	
22	910200200035	Screw GB70.1-M6x16-8.8	16	
23	910400500005	Spring washer GB93-6	16	
24	910400100005	Flat washer GB97.1-6-200HV	16	
25	212144520047	Valve block (latus rectum 8)	1	

Fig. 14 Mast hydraulic tube unit-4 tube (three stage mast)

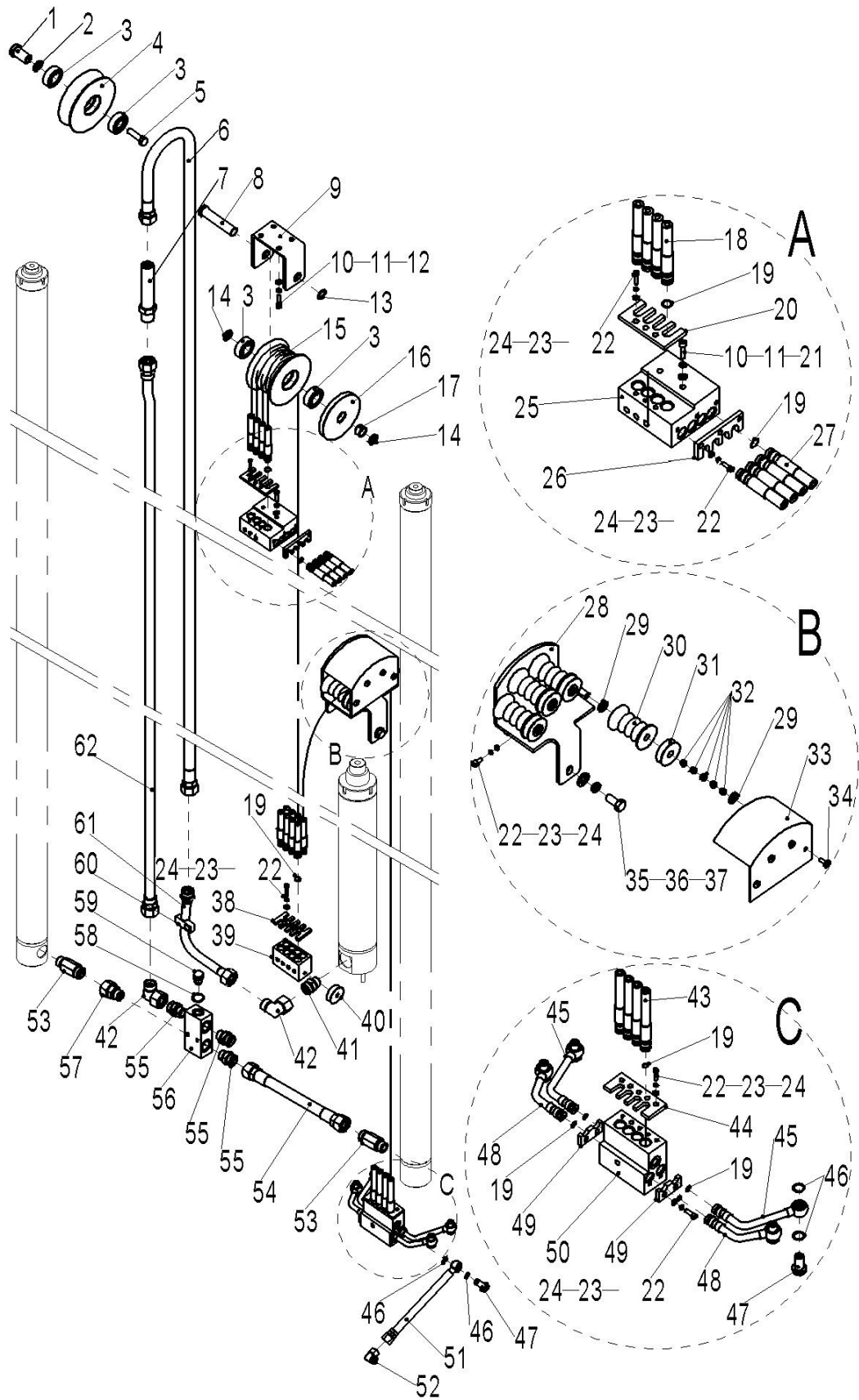


Fig. 14 Mast hydraulic tube unit-4 tube (three stage mast)

No.	Art No.	Description	Qty.	Note
26	212144520046	Snap-gauge 2	1	
27	212125020015	Hydraulic tube assembly (straight) Φ 6	4	4500
	212125020026			5000
	212125020027			5500
	212125020018			6000
	212125020019			6500
	212125020020			7000
	212125020021			7500
	212125020022			8000
	212125020023			8500
	212125020024			9000
212125020025	9500			
28	212144510047	Pulley cover welding (left)	1	
29	910400100007	Flat washer GB97.1-10-200HV	8	
30	212144520058	Pulley Φ 42x68(4 groove)	4	
31	212144520059	Pulley Φ 40x12(single groove)	4	
32	940500100079	Bushing Φ 10x Φ 12x15-SF-1	20	
33	212144510046	Pulley cover welding (right)	1	
34	910200500052	Screw GB818-M6x16-4.8	4	
35	910100300048	Bolt GB5783-M12x20-8.8	2	
36	910400500008	Spring washer GB93-12	3	
37	910400100008	Flat washer GB97.1-12-200HV	2	

Fig. 14 Mast hydraulic tube unit-4 tube (three stage mast)

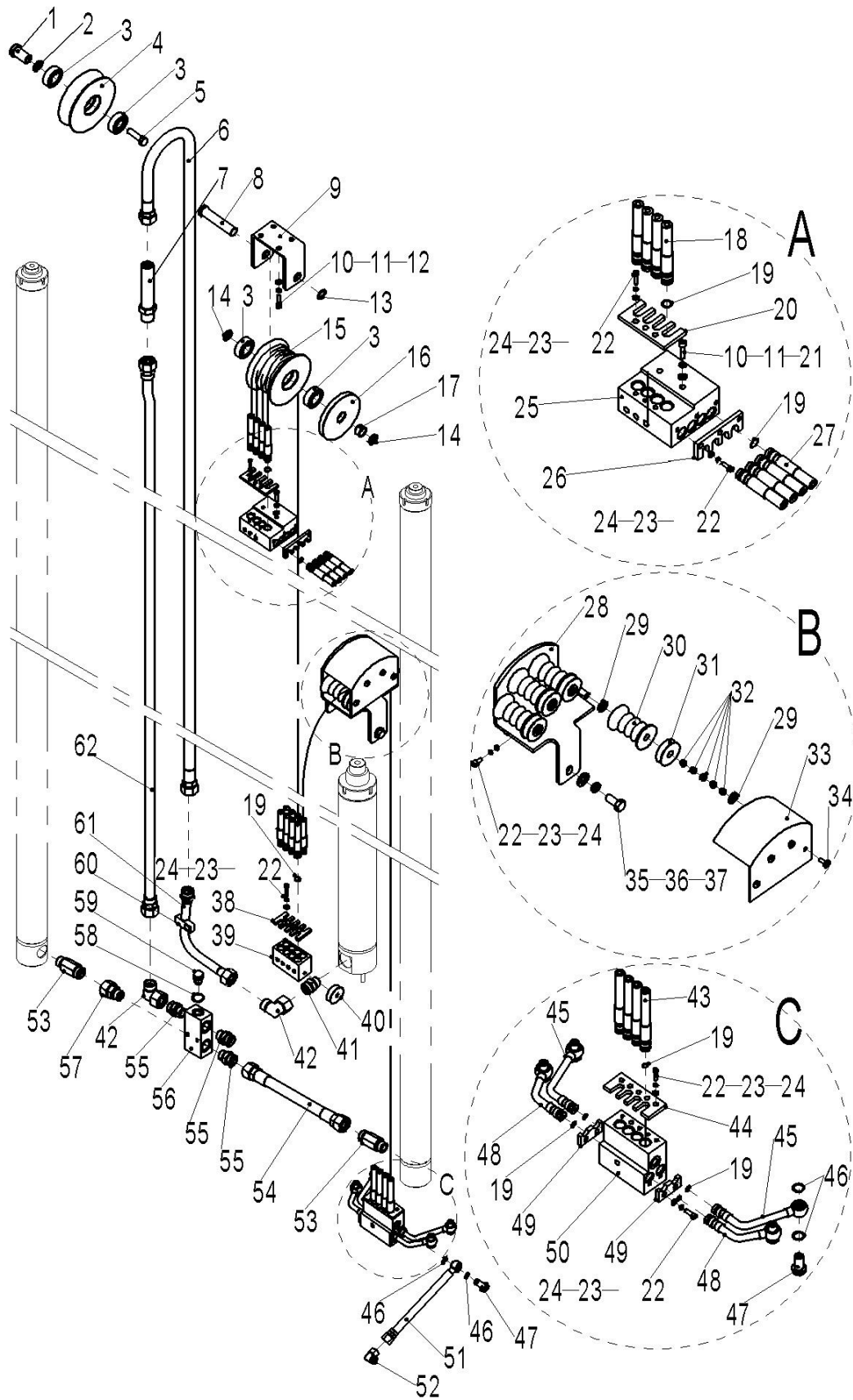


Fig. 14 Mast hydraulic tube unit-4 tube (three stage mast)

No.	Art No.	Description	Qty.	Note
38	212144520040	Snap-gauge 3	1	
39	212144520039	Valve block (8latus rectum)	1	
40	212144520037	Pulley Ø36x12(single groove)	1	
41	212198520036	Anti-exploding valve	1	
42	950400200006	Joint (bent) 18-2xM26x1.5-24°	2	
43	212144520085	Hydraulic tube assembly (straight) Φ6	4	4500
	212144520086			5000
	212144520087			5500
	212144520088			6000
	212144520089			6500
	212144520090			7000
	212144520091			7500
	212144520092			8000
	212144520093			8500
	212144520094			9000
212144520095	9500			
44	212144520032	Snap-gauge 5	1	
45	212144520033	Steel tube welding 1 (tilt)	2	
46	910800100125	O ring -内 12.1x1.8	4	
47	212144520042	Hinged bolt M12x1.5	4	
48	212144520034	Steel tube welding 2(tilt)	2	
49	212144520031	Snap-gauge 4	2	
50	212144520030	Valve block (latus rectum 10)	1	

Fig. 14 Mast hydraulic tube unit-4 tube (three stage mast)

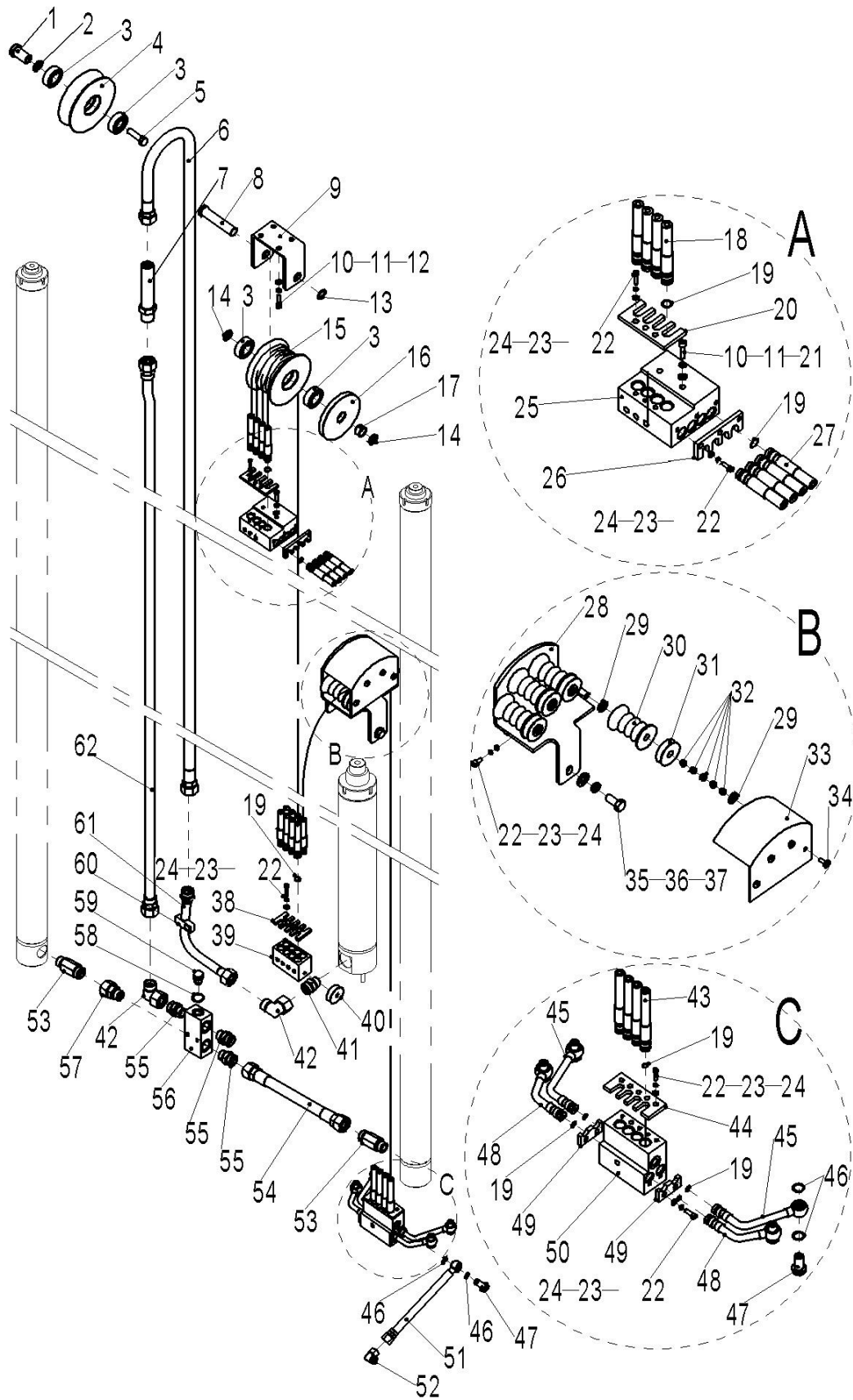


Fig. 14 Mast hydraulic tube unit-4 tube (three stage mast)

No.	Art No.	Description	Qty.	Note
51	212144520035	Hydraulic tube assembly (straight) 8-L230-1SC-24°	2	
52	950400200001	Joint (bent) 6-2xM12x1.5-24°	2	
53	212198520022	Anti-exploding valve	2	
54	212144520036	Hydraulic tube assembly (straight) 18-L300-2SC-24°	1	
55	950400400011	Joint (straight) 18-M22x1.5-M26x1.5-24°	3	
56	212144520041	Valve block (5latus rectum)	1	
57	950400100003	Joint (straight) 18-M22x1.5-M26x1.5-24°	1	
58	910800900005	Washer kits JB982-16	1	
59	911300100001	Screw plug JB1000-M16x1.5	1	
60	213044520110	Tube clamp 18	1	
61	212144520048	Steel tube welding 4	1	
62	212144520115	Steel tube welding	1	4500
	212144520116			5000
	212144520117			5500
	212144520118			6000
	212144520119			6500
	212144520120			7000
	212144520121			7500
	212144520122			8000
	212144520123			8500
	212144520124			9000
	212144520125			9500

Fig. 15 Electric steering unit

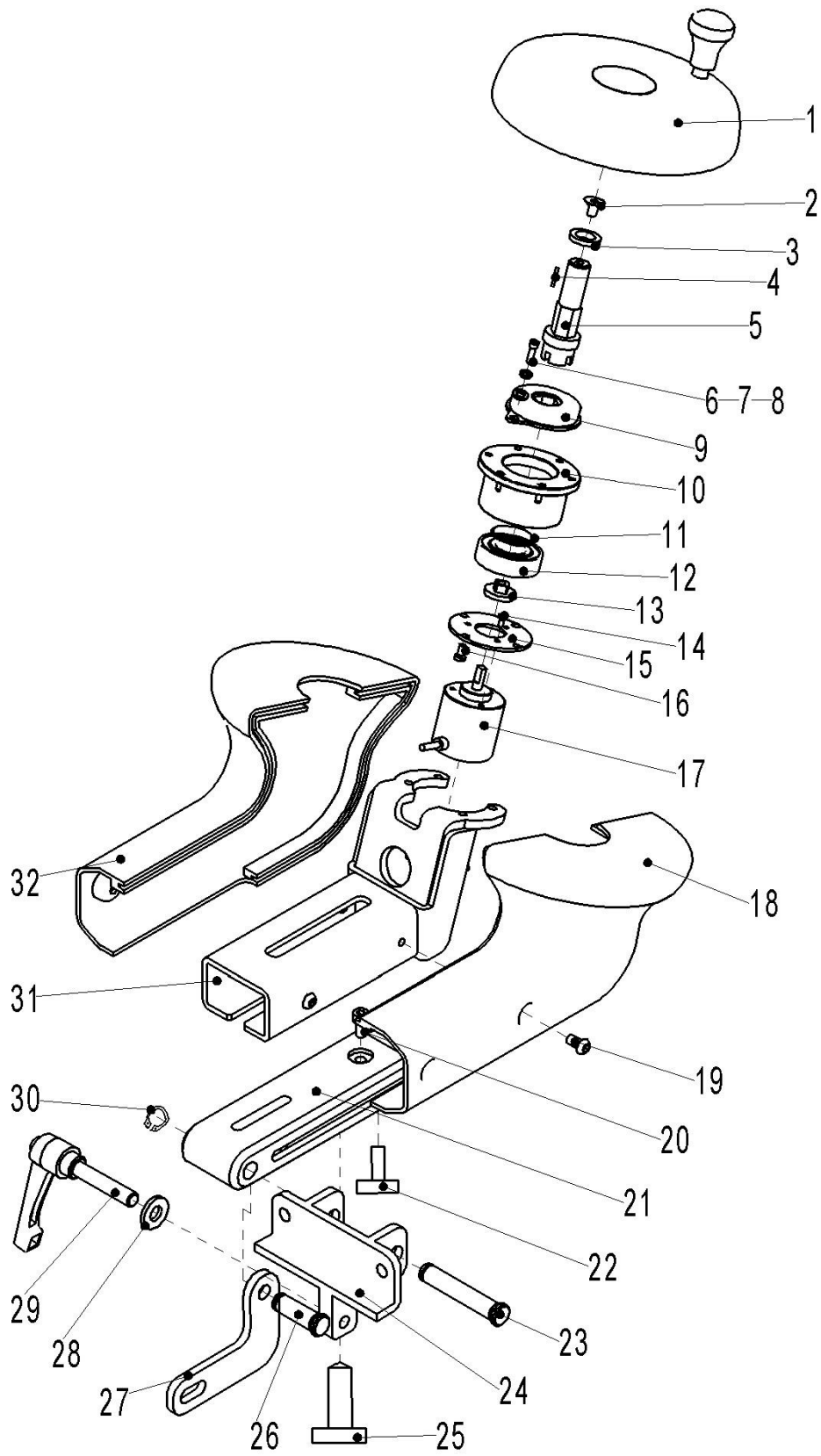


Fig. 15 Electric steering unit

No.	Art No.	Description	Qty	Note
1	940801700001	Hand wheel VDS.150+IEL.65-A14-K	1	
2	910200400015	Screw GB70.3-M6x10-8.8	1	
3	212131520006	Washer $\Phi 20 \times \Phi 6.8 \times 3$	1	
4	910600800004	Flat key GB1096-5x8-A	1	
5	212131520005	Axle $\Phi 23 \times 50$	1	
6	910200500038	Screw GB818-M5x12-4.8	5	
7	910400100004	Flat washer GB97.1-5-200HV	5	
8	910400500004	Spring washer GB93-5	5	
9	204010020004	Damper (PS10CB)	1	
10	212131520007	Bearing seat	1	
11	910401400012	Circlip for hole GB893.1-42	1	
12	910700200004	Bearing GB276-6004-2RS	1	
13	505931520002	Linking block	1	
14	910200500009	Screw GB818-M3x6-4.8	3	
15	212131520008	Fixing plate (programmer)	1	
16	910200500021	Screw GB818-M4x10-4.8	4	
17	921800200019	Potentiometer E6B2-CWZ1X	1	
18	212131520001	Protective cover (left)	1	
19	910200300017	Screw GB70.2-M6x12-8.8	4	
20	910200200033	Screw GB70.1-M6x12-8.8	1	
21	212131520004	Sliding block	1	
22	212131520015	Hand wheel	1	

Fig. 15 Electric steering unit

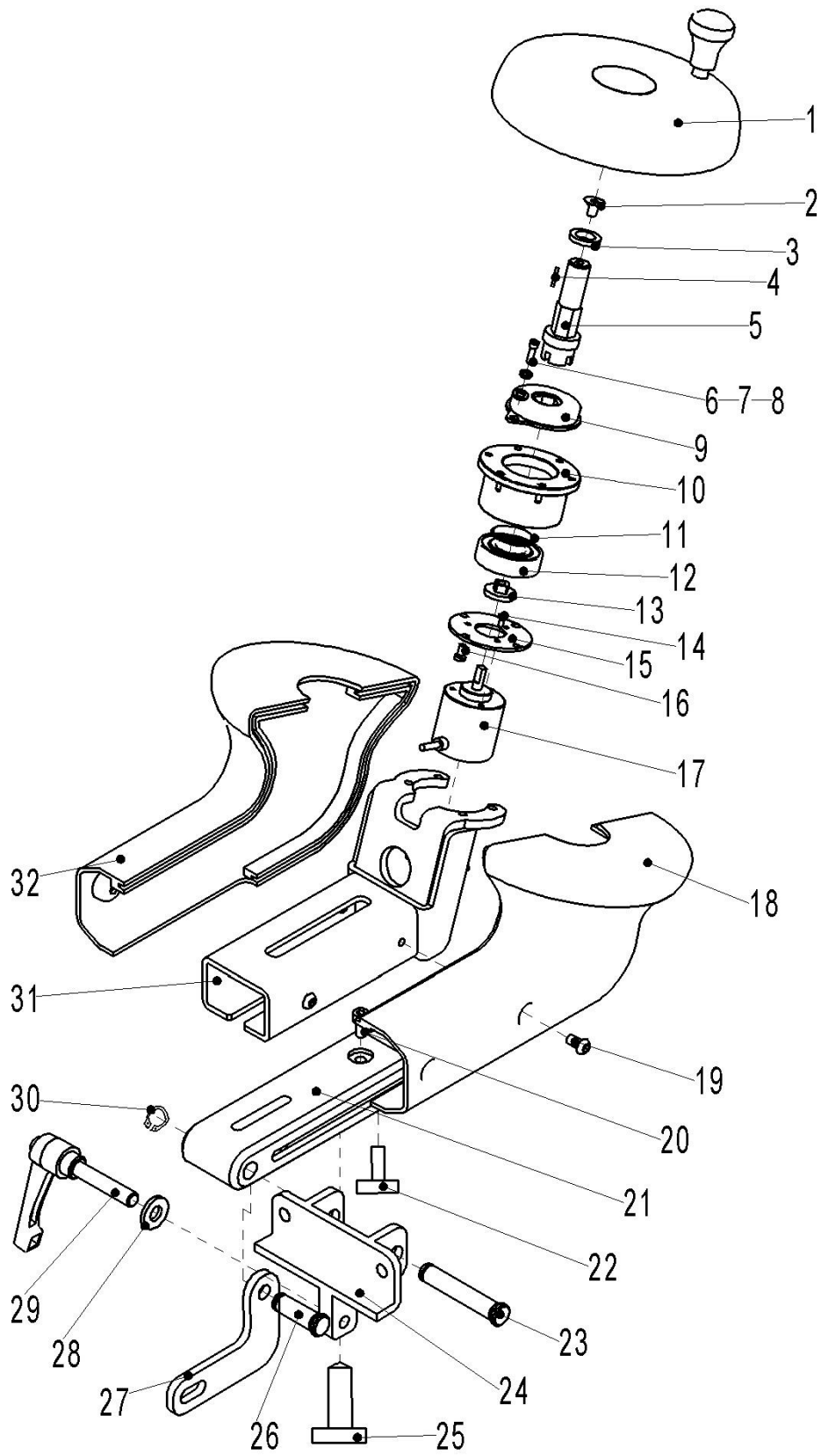


Fig. 15 Electric steering unit

No.	Art No.	Description	Qty	Note
23	440517020002	Pin Φ 12x67	1	
24	212131510000	Fixing seat welding	1	
25	212131520015	Hand wheel	1	
26	213031540015	Pin Φ 8x45	1	
27	212131520003	Fixing plate (rotation)	1	
28	212131520002	Washer Φ 22x Φ 10.5x3	1	
29	272031510001	Adjusting handle	1	
30	910401300003	Circlip for axle GB894.1-12	1	
31	212131510001	Fixing seat welding (stretch)	1	
32	212131520000	Protective cover (right)	1	

Fig. 1 Fork frame assembly (three stage mast)

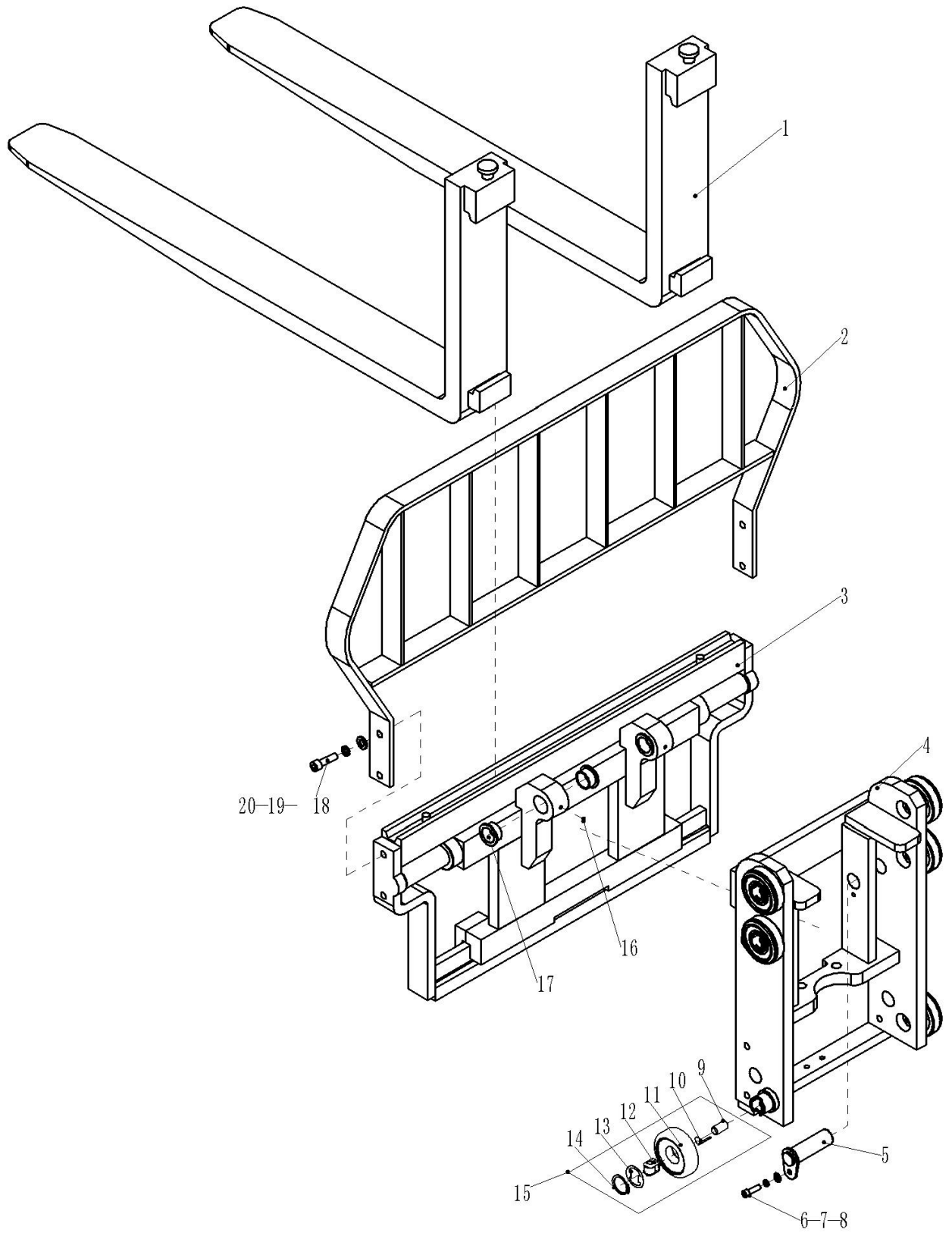


Fig. 16 Fork frame assembly (three stage mast)

N o.	Art No.	Description	Qty.	Note
1	940100100008	Hook II Type A fork	2	1070
	940100100009			1220
	940100100010			1150
	940100100011			1370
	940100100012			1520
	940100100030			1820
	940100100037			1100
2	212140510000	Load backrest welding (928)	1	
3	212138010002	Built-in side shifter	1	
4	212138010000	Inner carriage welding	1	
5	212138010003	Trunnion $\Phi 30 \times 93$	2	
6	910200300025	Screw GB70.2-M8x20-8.8	2	
7	910400100006	Flat washer GB97.1-8-200HV	2	
8	910400500019	Spring washer GB93-8	2	
9	212198520049	Adjusting screw	6	M16x1.5x24
10	212198520050	Lock chip	6	
11	212198520051	Main roller	6	$\Phi 90.5$
12	212198520052	Side roller	6	
13	212198520053	Dust-proof chip	6	
14	910401300018	Circlip for axle GB894.1-35	6	
15	940200300041	Roller kits $\Phi 90.50$ -range=49.50-53.50	6	
16	911200100002	Grease cup JB7940.1-M6x1	2	
17	940500400013	Self-lubricating bearing $\Phi 40 \times \Phi 50 \times 19$	4	

Fig. 16 Fork frame assembly (three stage mast)

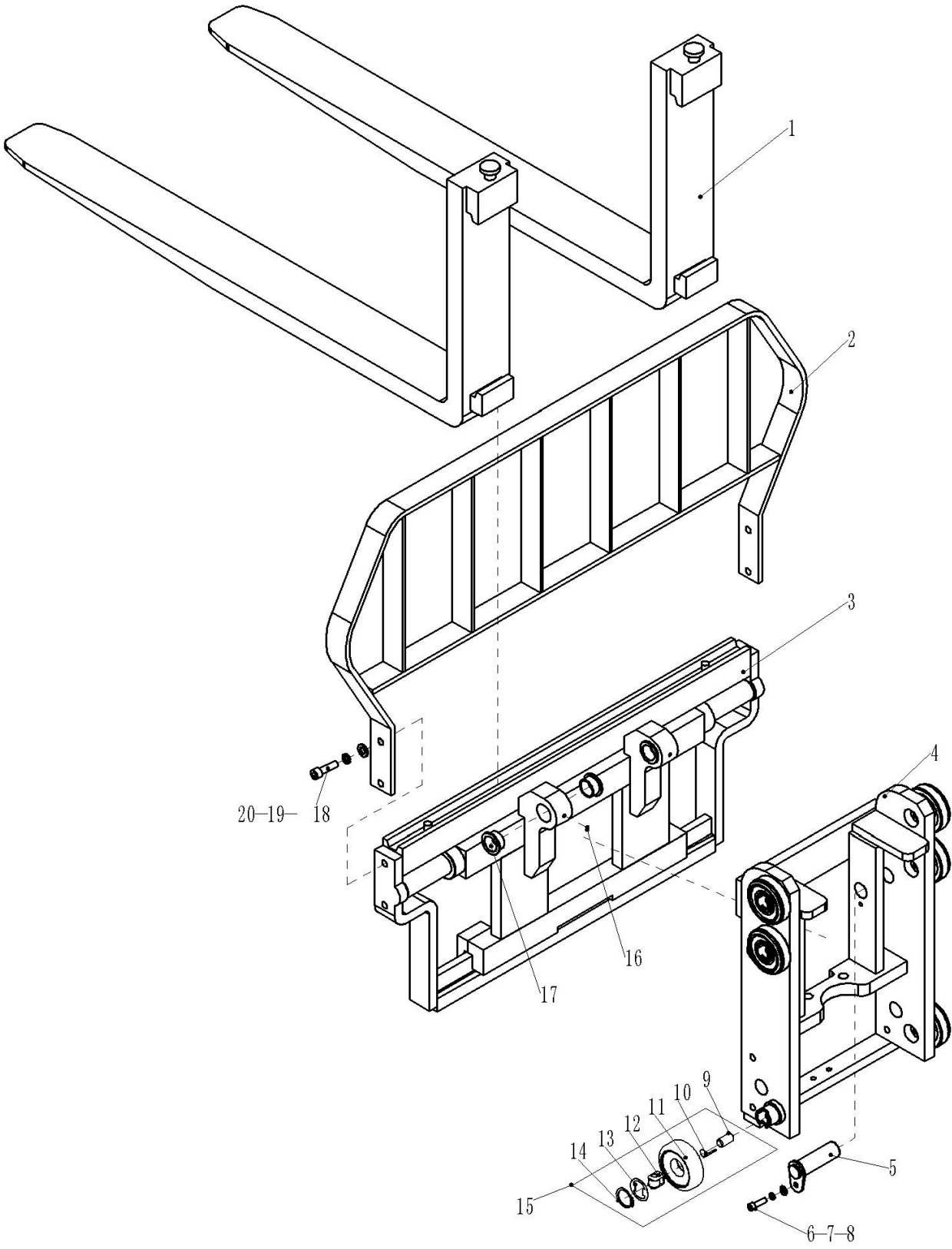


Fig. 16 Fork frame assembly (three stage mast)

N o.	Art No.	Description	Qty.	Note
18	910100300050	Bolt GB5783-M12x30-8.8	4	
19	910400500008	Spring washer GB93-12	4	
20	910400100008	Flat washer GB97.1-12-200HV	4	

Fig. 17 Outer mast assembly (three stage mast)

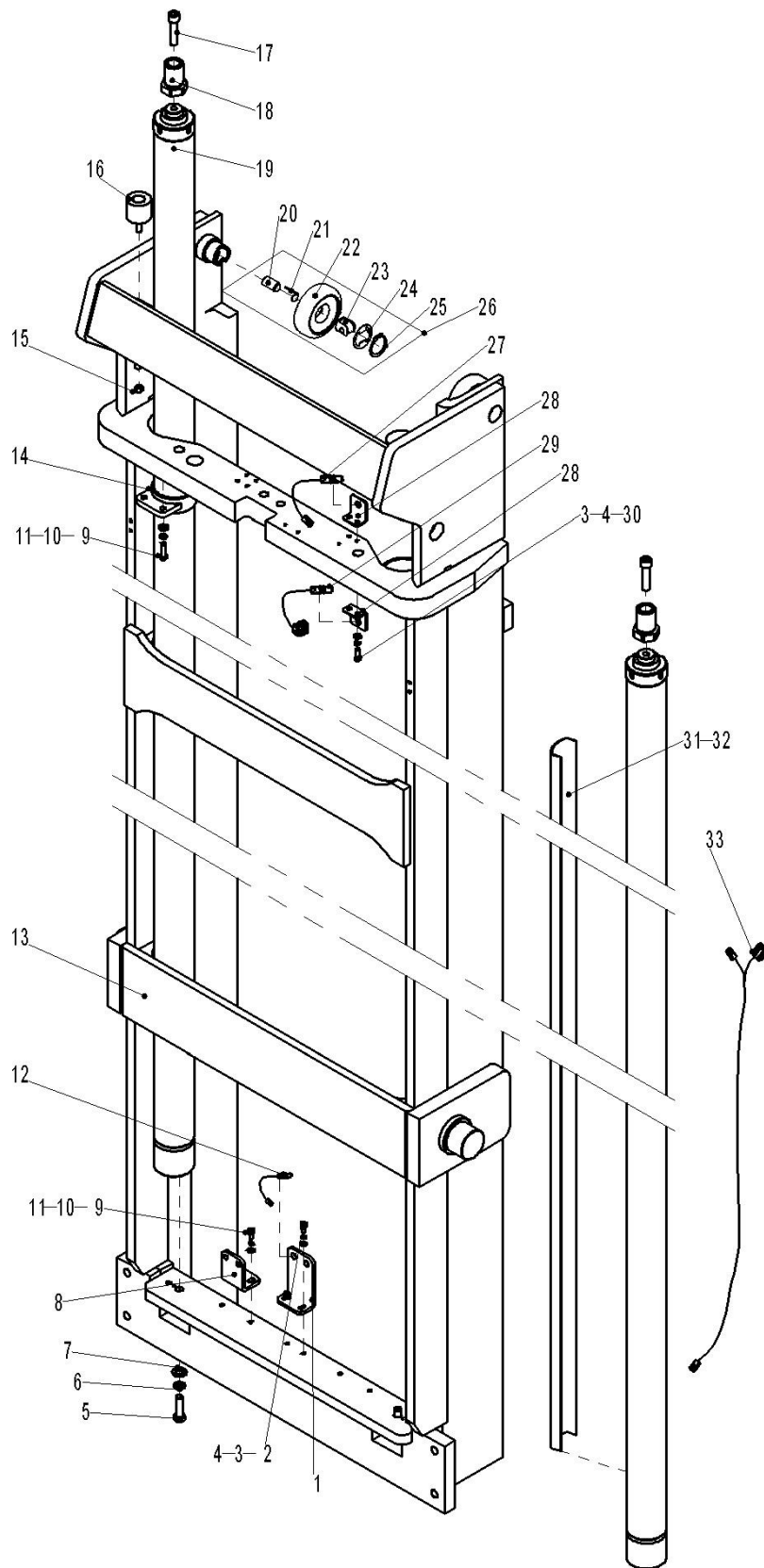


Fig. 17 Outer mast assembly (three stage mast)

No.	Art No.	Description	Qty.	Note
1	212144520063	Fixing plate 2 (proximity switch)	1	
2	910200200033	Screw GB70.1-M6x12-8.8	2	
3	910400500005	Spring washer GB93-6	6	
4	910400100005	Flat washer GB97.1-6-200HV	6	
5	910100400011	Bolt GB5786-M12x1.25x35-8.8	2	
6	910400500008	Spring washer GB93-12	2	
7	910400100008	Flat washer GB97.1-12-200HV	2	
8	212144520062	Fixing plate (valve block)	1	
9	910200200058	Screw GB70.1-M8x25-8.8	6	
10	910400500006	Spring washer GB93-8	6	
11	910400100006	Flat washer GB97.1-8-200HV	6	
12	212133510005	Proximity switch Fi4-G12-CP6L(700mm)	1	
13	212144510005	Outer mast welding	1	4500
	212144510006			5000
	212144510007			5500
	212144510008			6000
	212144510009			6500
	212144510010			7000
	212144510011			7500
	212144510012			8000
	212144510013			8500
	212144510014			9000
	212144510015			9500

Fig. 17 Outer mast assembly (three stage mast)

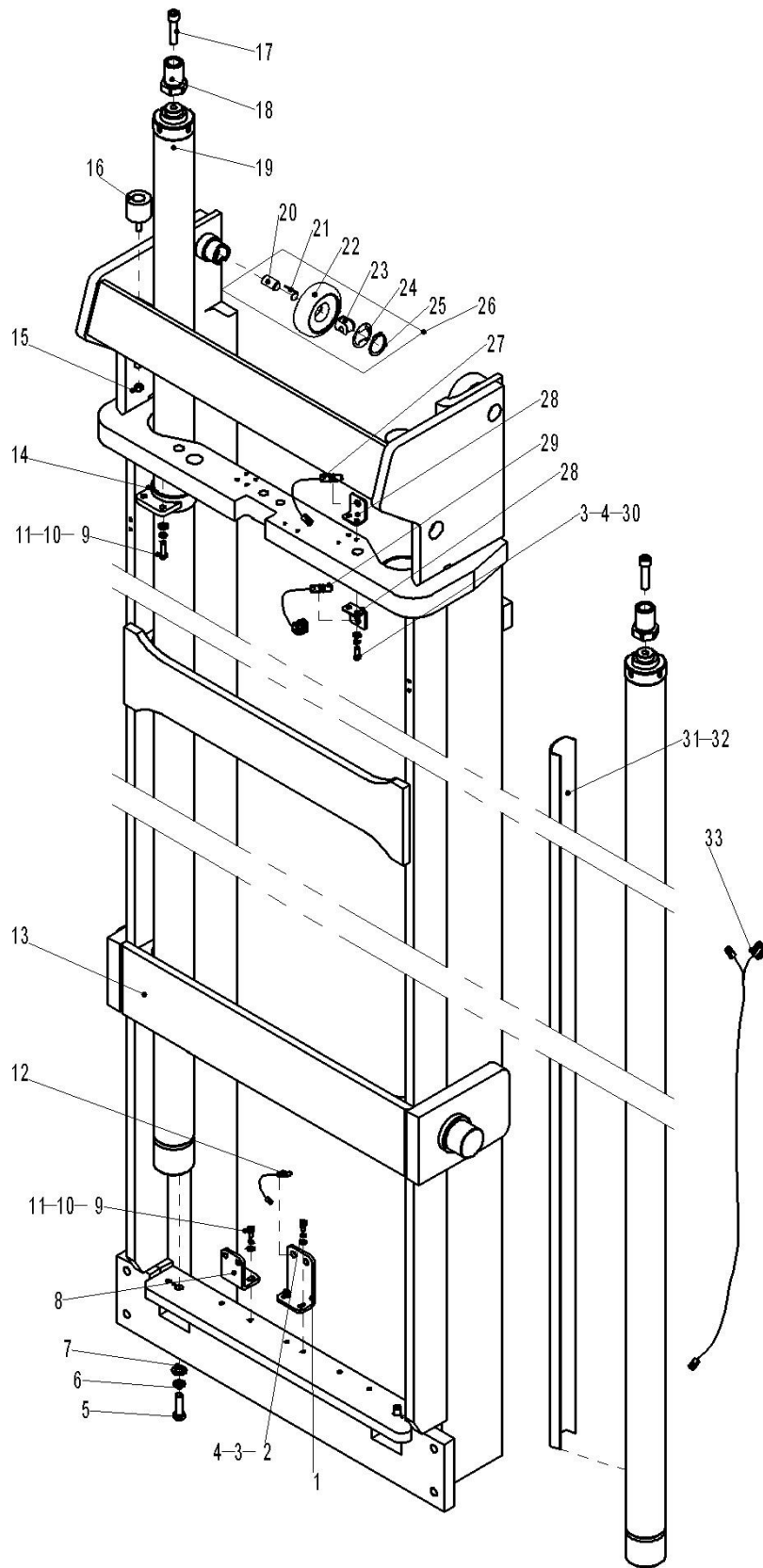


Fig. 17 Outer mast assembly (three stage mast)

No.	Art No.	Description	Qty.	Note
14	212144510048	Fixing seat welding (side cylinder)	2	
15	910300500004	Nut GB889.1-M8-10	2	
16	212144520065	Bumper	2	
17	910100300054	Bolt GB5783-M12x50-8.8	2	
18	212144520060	Adjusting thread insert	2	
19	212144510055	Cylinder	2	4500
	212144510056			5000
	212144510057			5500
	212144510058			6000
	212144510059			6500
	212144510060			7000
	212144510061			7500
	212144510062			8000
	212144510063			8500
	212144510064			9000
212144510065	9500			
20	212198520054	Adjusting screw	2	
21	212198520055	Lock chip	2	
22	212198520056	Main roller	2	
23	212198520052	Side roller	2	
24	212198520053	Dust-proof chip	2	
25	910401300018	Circlip for axle GB894.1-35	2	
26	940200300040	Roller kits Φ90.10-range=56-60	2	

Fig. 17 Outer mast assembly (three stage mast)

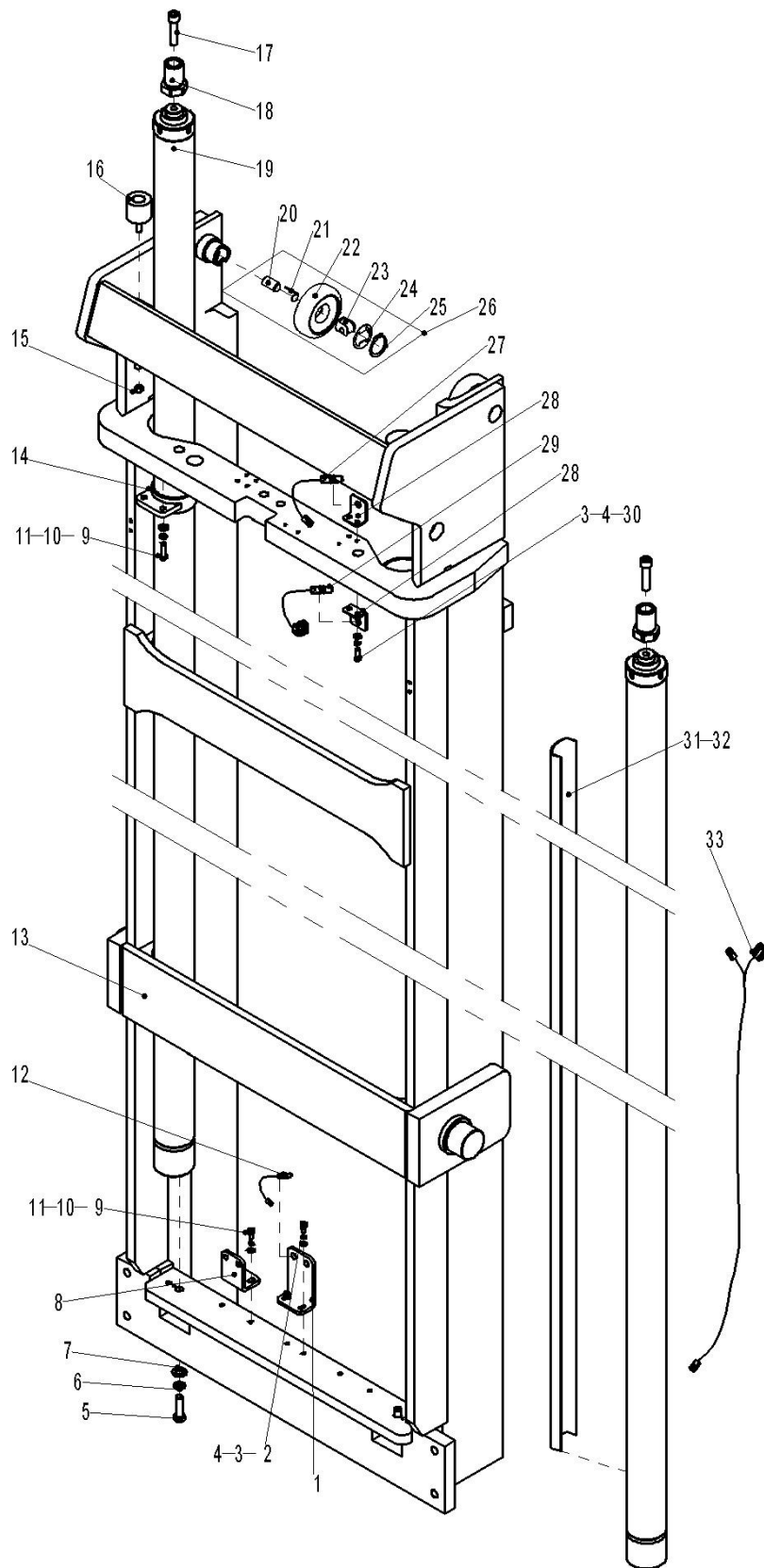


Fig. 17 Outer mast assembly (three stage mast)

No.	Art No.	Description	Qty.	Note
27	212133510008	Proximity switch Fi4-G12-OP6L(420mm)	1	
28	212144520061	Fixing plate 1(Proximity switch)	2	
29	212133510006	Proximity switch Fi4-G12-CP6L(200mm)	1	
30	910200500052	Screw GB818-M6x16-4.8	4	
31	212144502018	Oil tube protective cover	1	
32	911000600007	Hose clamp JB/T8870-(70-90)	6	
33	212133010019	Mast safety switch wire harness	1	4500
	212133010020			5000
	212133010022			5500
	212133010023			6000
	212133010024			6500
	212133010025			7000
	212133010026			7500
	212133010027			8000
	212133010028			8500
	212133010029			9000
	212133010017			9500

Fig. 18 Middle mast assembly (three stage mast)

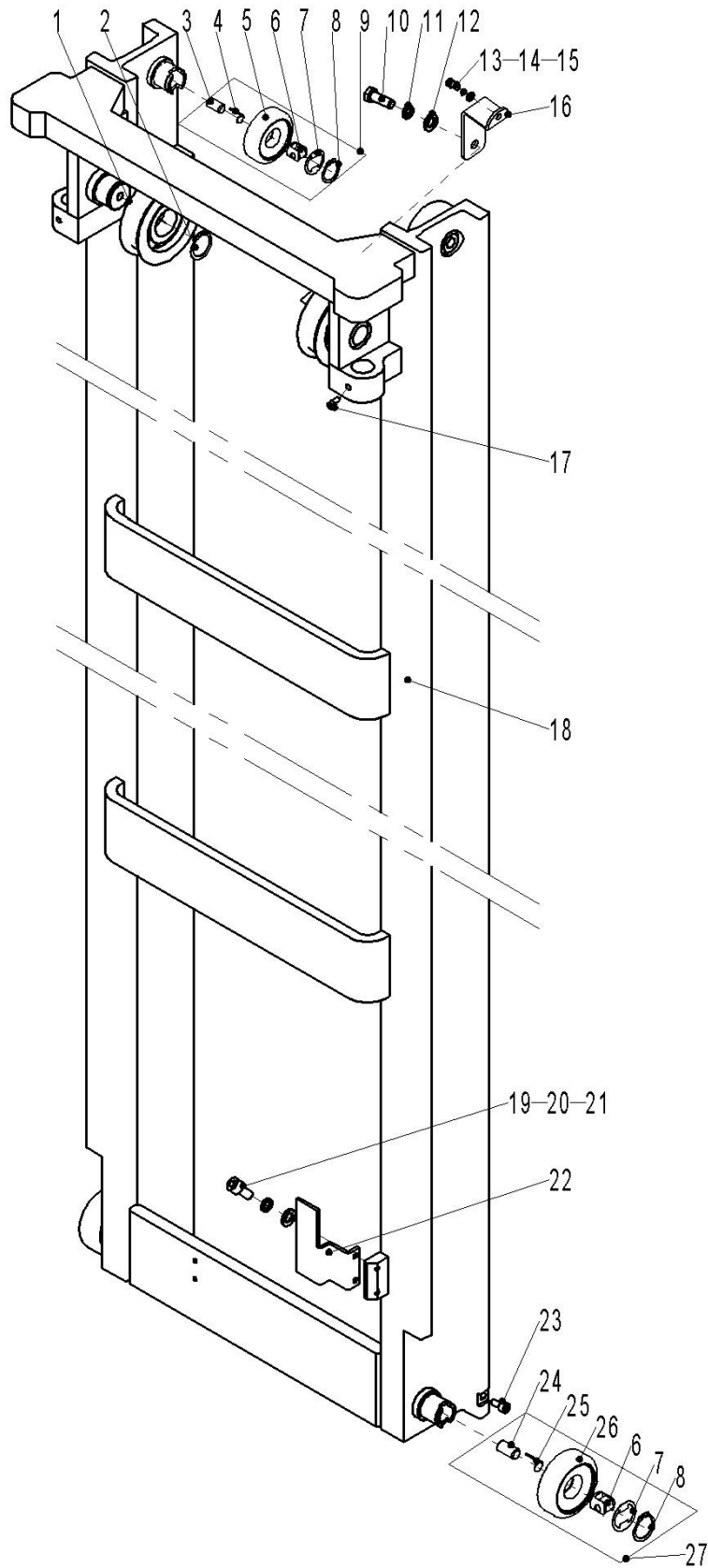


Fig. 18 Middle mast assembly (three stage mast)

No.	Art No.	Description	Qty.	Note
1	940200500001	Chain wheel bearing 780708K-Φ100XΦ40X27	2	
2	910401300020	Circlip for axle GB894.1-40	2	
3	212198520057	Adjusting screw	2	M16x1.5x20
4	212198520058	Lock chip	2	
5	212198520059	Main roller	2	Φ90.5
6	212198520060	Side roller	4	
7	212198520061	Dust-proof chip	4	
8	910401300018	Circlip for axle GB894.1-35	4	
9	940200300045	Roller kits Φ90.5-range=48.7-52.7	2	
10	910100300051	Bolt GB5783-M12x35-8.8	1	
11	910400500008	Spring washer GB93-12	1	
12	910400100008	Flat washer GB97.1-12-200HV	1	
13	910200200058	Screw GB70.1-M8x25-8.8	1	
14	910400500006	Spring washer GB93-8	1	
15	910400100006	Flat washer GB97.1-8-200HV	1	
16	212144520067	Protective plate (chain)	1	
17	910200900014	Screw GB78-M8x12-45H	2	
18	212144510020	Middle mast welding	1	4500
	212144510021			5000
	212144510022			5500
	212144510023			6000
	212144510024			6500
	212144510025			7000

Fig. 18 Middle mast assembly (three stage mast)

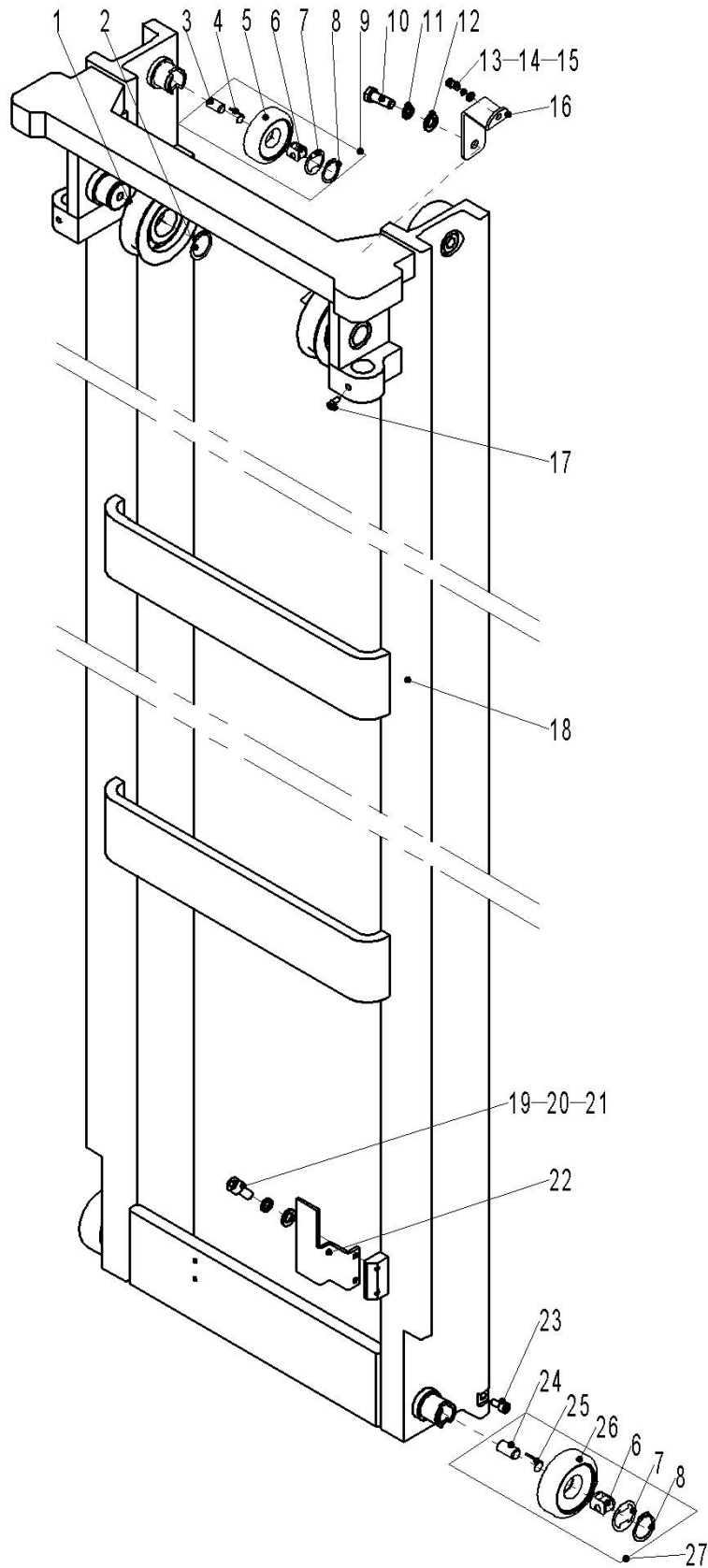


Fig. 18 Middle mast assembly (three stage mast)

No.	Art No.	Description	Qty.	Note
18	212144510026	Middle mast welding	1	7500
	212144510027			8000
	212144510028			8500
	212144510029			9000
	212144510030			9500
19	910200200036	Screw GB70.1-M6x20-8.8	2	
20	910400500005	Spring washer GB93-6	2	
21	910400100005	Flat washer GB97.1-6-200HV	2	
22	212144520066	Fixing plate (sensor)	1	
23	910200200096	Screw GB70.1-M12x20-8.8	2	
24	212198520062	Adjusting screw	2	M16x1.5x26
25	212198520063	Lock chip	2	Φ90
26	212198520064	Main roller	2	
27	940200300043	Roller kits Φ90-range=55.7-59.7	2	

Fig. 19 Inner mast assembly (three stage mast)

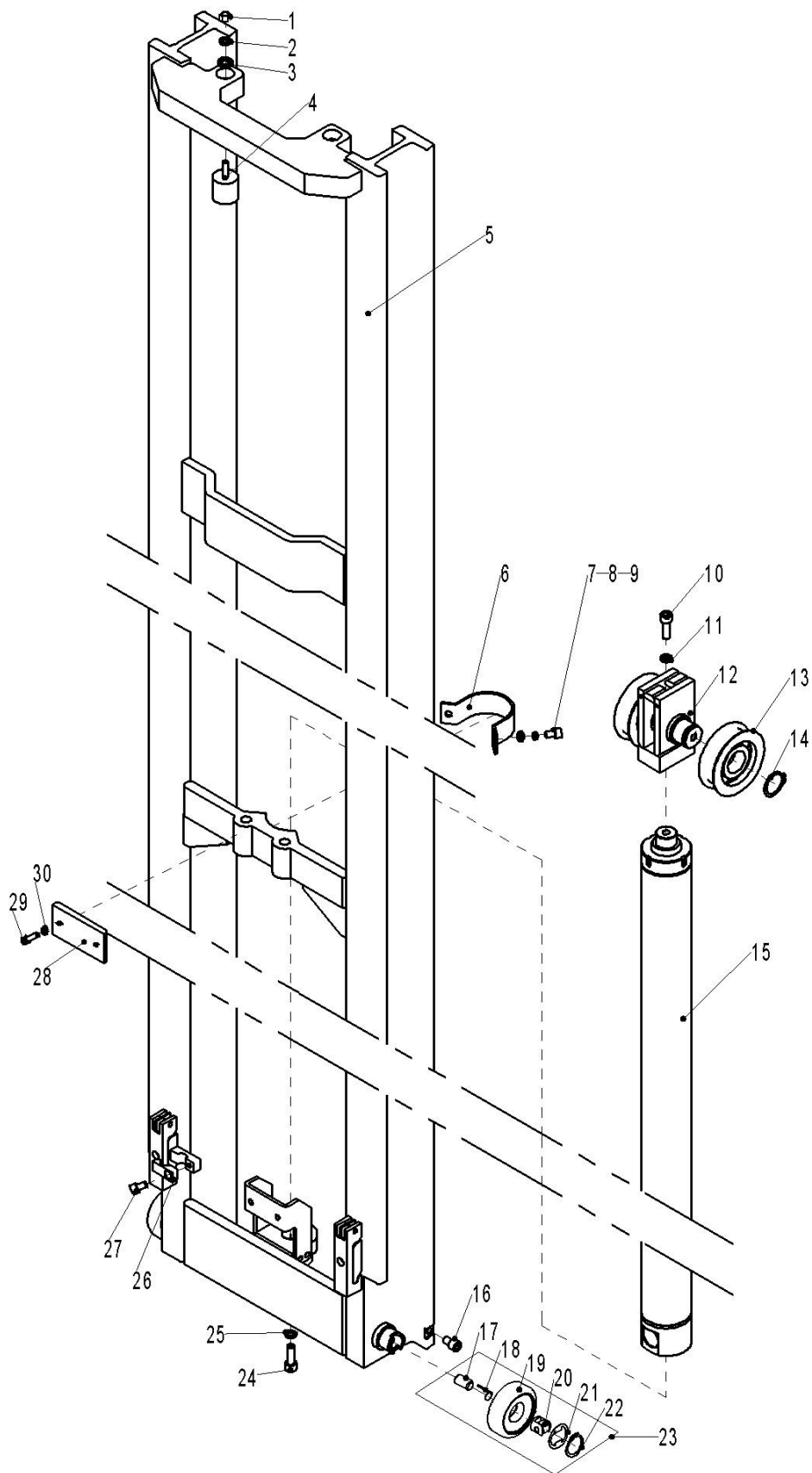


Fig. 19 Inner mast assembly (three stage mast)

No.	Art No.	Description	Qty.	Note
1	910300500004	Nut GB889.1-M8-10	2	
2	910400500006	Spring washer GB93-8	3	
3	910400100006	Flat washer GB97.1-8-200HV	2	
4	212144520065	Bumper	2	
5	212144510035	Inner mast welding	1	4500
	212144510036			5000
	212144510037			5500
	212144510038			6000
	212144510039			6500
	212144510040			7000
	212144510041			7500
	212144510042			8000
	212144510043			8500
	212144510044			9000
212144510045	9500			
6	212144520068	Fixing plate (Cylinder (M))	1	
7	910100200005	Screw GB70.1-M10x20-8.8	2	
8	910400500007	Spring washer GB93-10	2	
9	910400100007	Flat washer GB97.1-10-200HV	2	
10	910200200099	Screw GB70.1-M12x35-8.8	2	
11	910400500008	Spring washer GB93-12	4	
12	212144510049	Chain wheel seat welding	1	
13	940200500001	Chain wheel bearing 780708K-Φ100XΦ40X27	2	

Fig. 19 Inner mast assembly (three stage mast)

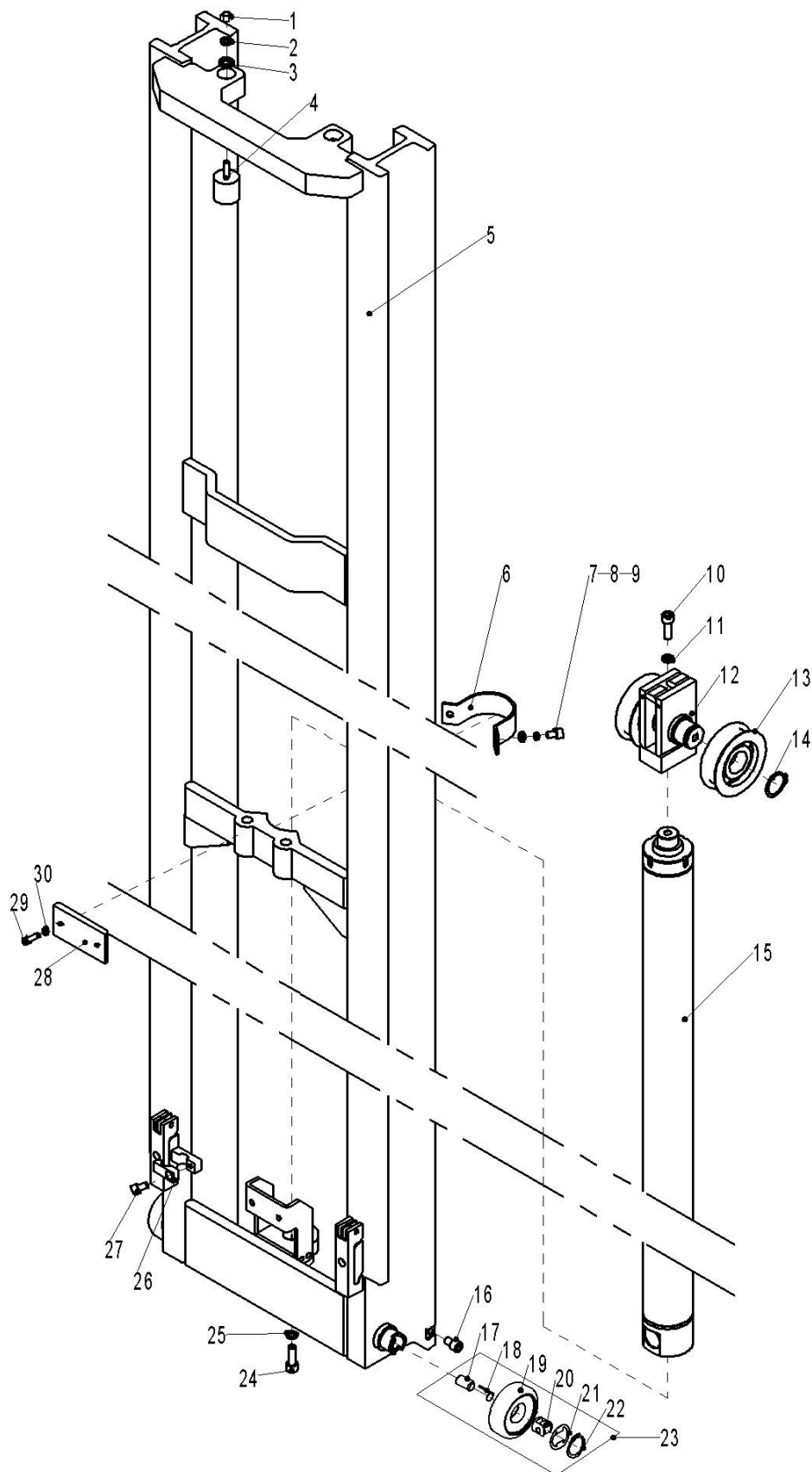


Fig. 19 Inner mast assembly (three stage mast)

No.	Art No.	Description	Qty.	Note
14	910401300020	Circlip for axle GB894.1-40	2	
15	212144510070	Cylinder (M)	1	4500
	212144510071			5000
	212144510072			5500
	212144510073			6000
	212144510074			6500
	212144510075			7000
	212144510076			7500
	212144510077			8000
	212144510078			8500
	212144510079			9000
212144510080	9500			
16	910200200096	Screw GB70.1-M12x20-8.8	2	
17	212198520049	Adjusting screw	2	M16x1.5x24
18	212198520050	Lock chip	2	
19	212198520051	Main roller	2	Φ90.5
20	212198520052	Side roller	2	
21	212198520053	Dust-proof chip	2	
22	910401300018	Circlip for axle GB894.1-35	2	
23	940200300041	Roller kits Φ90.50-range=49.50-53.	2	
24	910100200005	Bolt GB5785-M12x1.25x40-8.	1	
25	910400100008	Flat washer GB97.1-12-200HV	1	
26	213044520110	Tube clamp 18	1	

Fig. 19 Inner mast assembly (three stage mast)

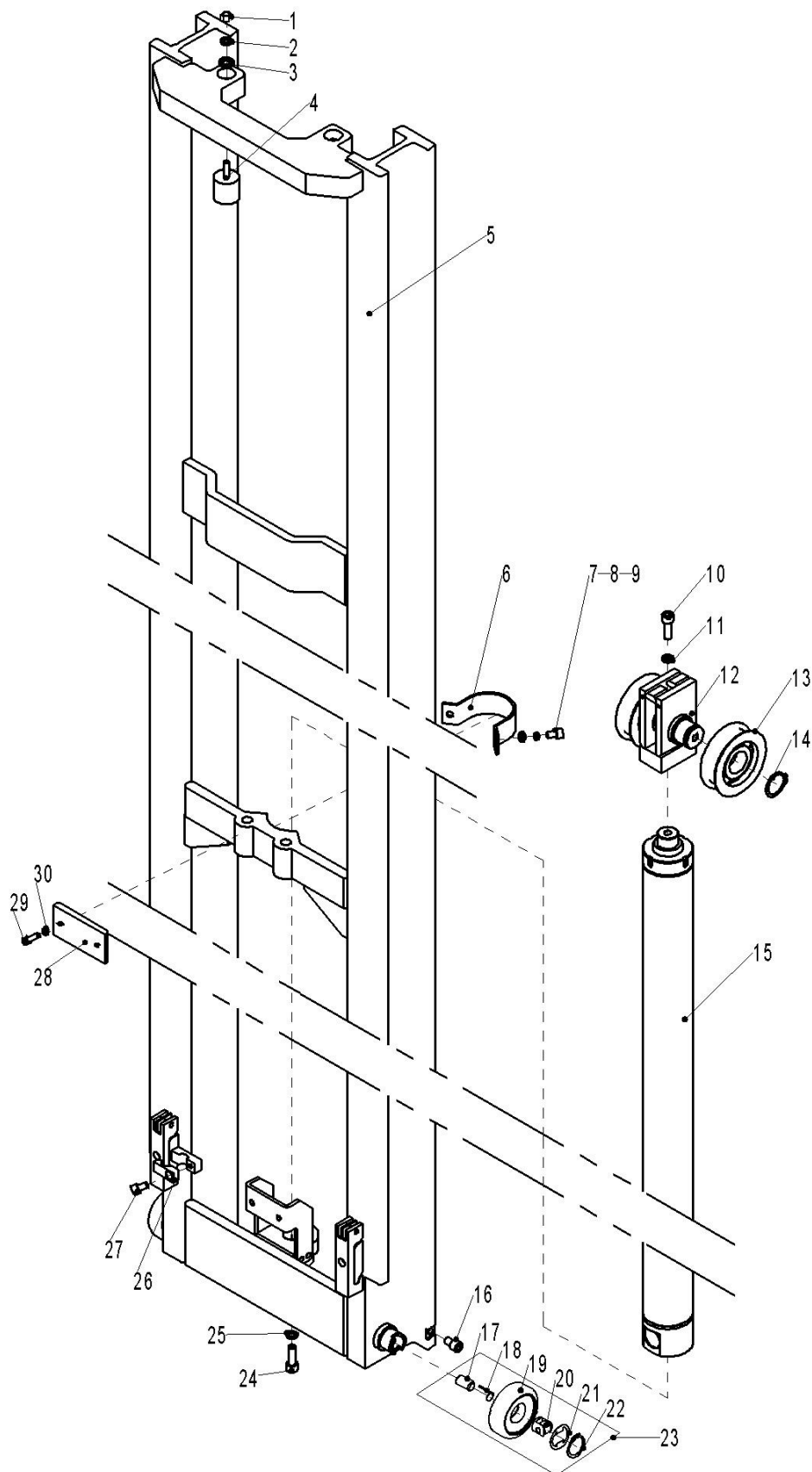


Fig. 19 Inner mast assembly (three stage mast)

No.	Art No.	Description	Qty.	Note
27	910200200055	Screw GB70.1-M8x16-8.8	1	
28	213044520236	oil tubePressing plate	1	
29	910200500051	Screw GB818-M6x12-4.8	2	
30	910400500005	Spring washer GB93-6	2	

Fig. 20 Reach frame assembly

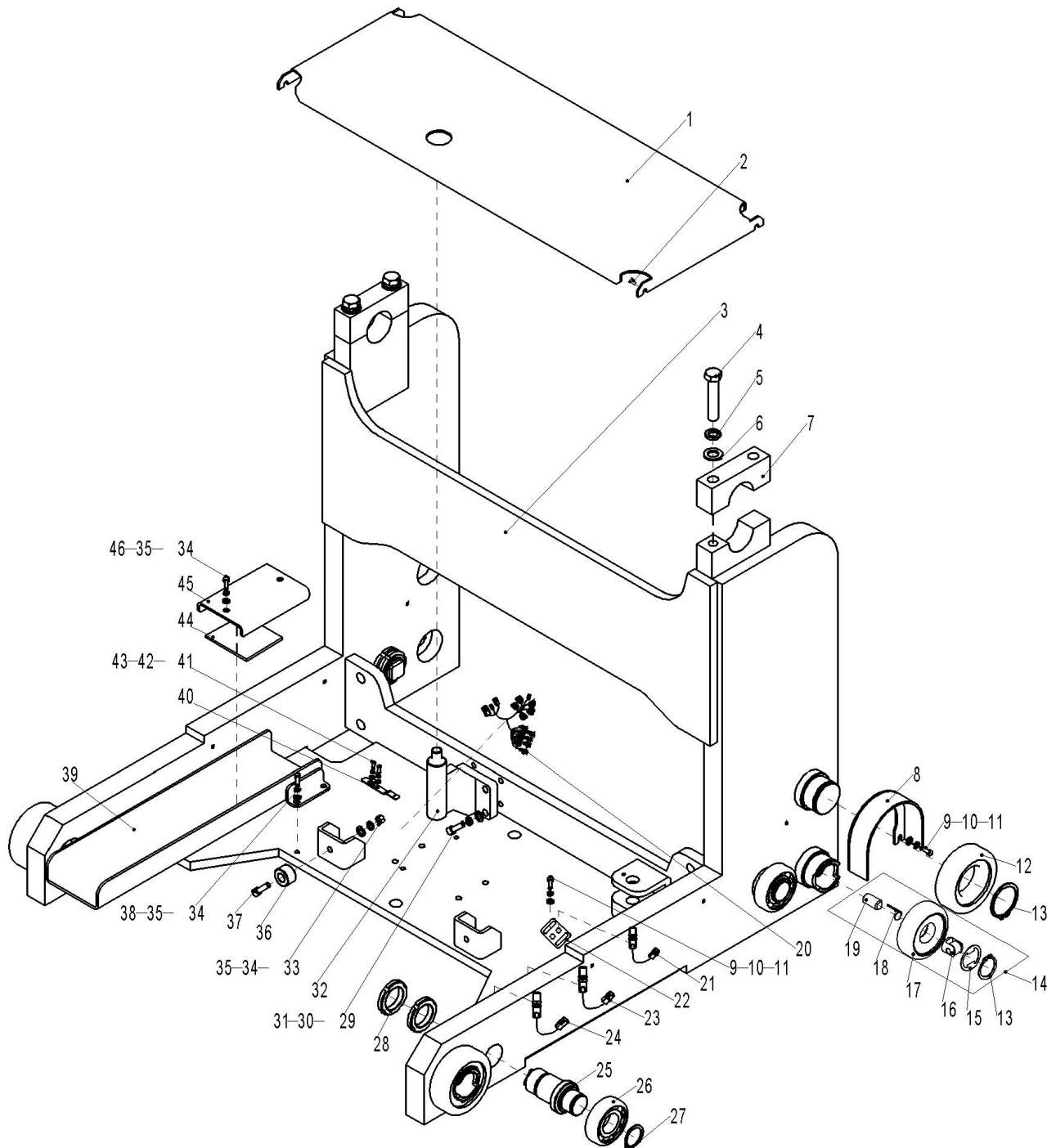


Fig. 20 Reach frame assembly

No.	Art No.	Description	Qty.	Note
1	213144520001	Top cap (reach)	1	
2	910100300010	Bolt GB5783-M6x16-8.8	4	
3	213144510001	Reach frame welding	1	
4	910100200017	Bolt GB5785-M16x1.5x80-8.8	4	
5	910400100010	Flat washer GB97.1-16-200HV	8	
6	910400500010	Spring washer GB93-16	8	
7	212144520217	Fixing plate (up)	2	
8	212144510081	Protective cover welding	2	
9	910200200036	Screw GB70.1-M6x20-8.8	10	
10	910400100005	Flat washer GB97.1-6-200HV	10	
11	910400500005	Spring washer GB93-6	10	
12	940200100042	Main roller $\Phi 110 \times \Phi 55 \times 32$	2	
13	910401300026	Circlip for axle GB894.1-55	6	
14	940200300042	Roller kits $\Phi 110$ -range=66-73	4	
15	212198520065	Dust-proof chip	4	
16	212198520066	Side roller	4	
17	212198520067	Main roller	4	
18	212198520068	Lock chip	4	
19	212198520069	Adjusting screw	4	M20x1.5x25
20	212133010015	Electromagnetic valve wire harness	1	
21	212133510002	Proximity switch Fi4-G12-CP6L(750mm)	1	
22	212144520235	Fixing plate (reach sensor)	3	
23	212133510003	Proximity switch Fi4-G12-CP6L(850mm)	1	

Fig. 20 Reach frame assembly

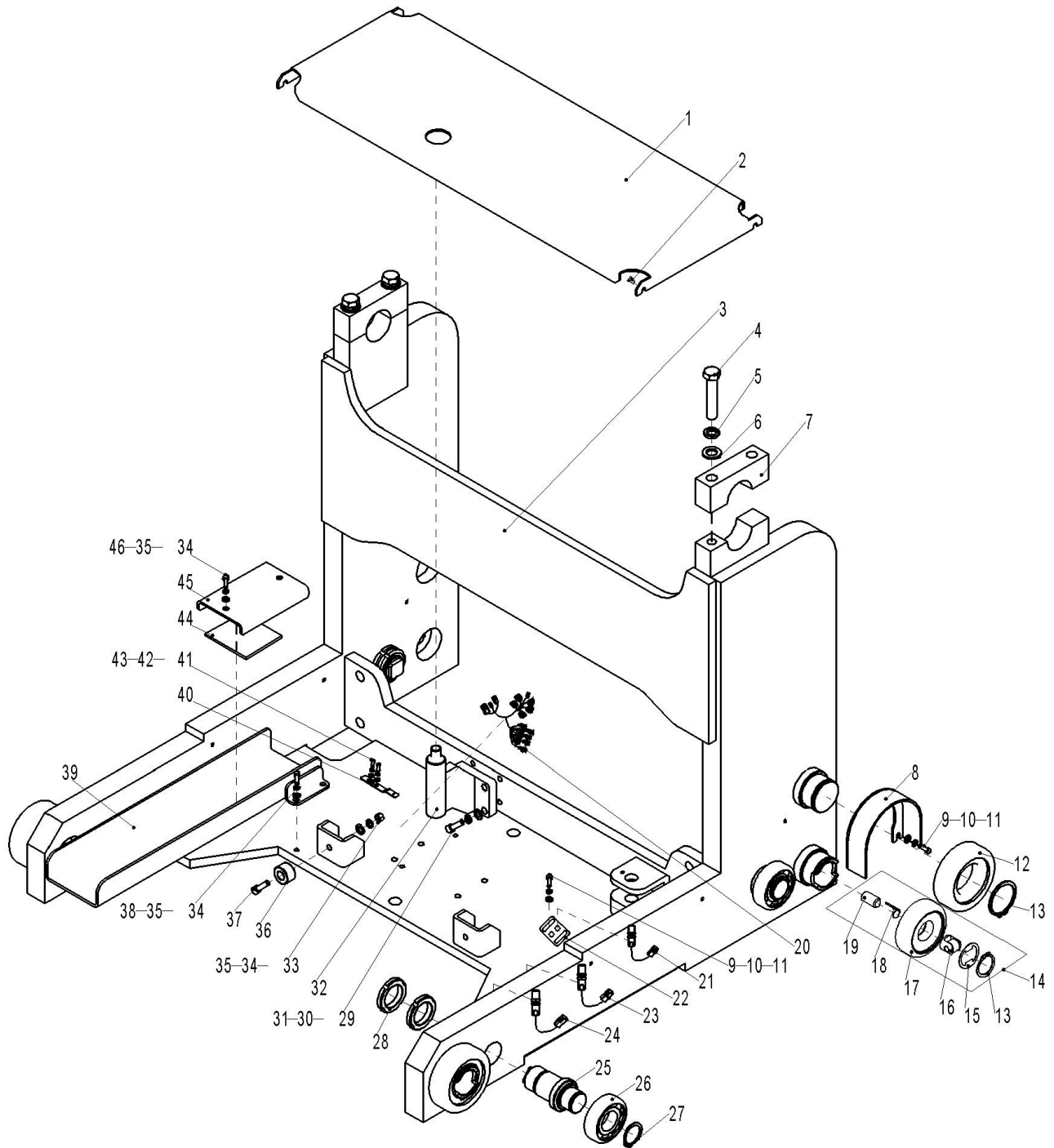


Fig. 20 Reach frame assembly

No.	Art No.	Description	Qty.	Note
24	212133510004	Proximity switch Fi4-G12-CP6L(900mm)	1	
25	212144520218	Axle head	4	
26	940200100008	Main roller $\Phi 77.7 \times \Phi 35 \times 22.5$	4	
27	910401300018	Circlip for axle GB894.1-35	4	
28	910300800008	Nut GB812-M40x1.5	8	
29	910200200079	Screw GB70.1-M10x40-8.8	4	
30	910400100007	Flat washer GB97.1-10-200HV	4	
31	910400500007	Spring washer GB93-10	4	
32	212144510051	Fixed seat (battery)	1	
33	910300500004	Nut GB889.1-M8-10	2	
34	910400100006	Flat washer GB97.1-8-200HV	8	
35	910400500006	Spring washer GB93-8	8	
36	532621520062	Bumper pad $\Phi 30 \times \Phi 9 \times 18$	2	
37	910200200060	Screw GB70.1-M8x35-8.8	2	
38	910200200057	Screw GB70.1-M8x20-8.8	4	
39	2121445210052	Guide slot welding (oil tube)	1	
40	921300300005	Connector 2cores seat	9	
41	910200500037	Screw GB818-M5x10-4.8	18	
42	910400500004	Spring washer GB93-5	18	
43	910400100004	Flat washer GB97.1-5-200HV	18	
44	212144520241	Rubber liners	1	
45	910200200061	Screw GB70.1-M8x40-8.8	2	
46	212144520239	Oil tube pressing plate (guide slot)	1	

Fig. 21 Foot brake assembly

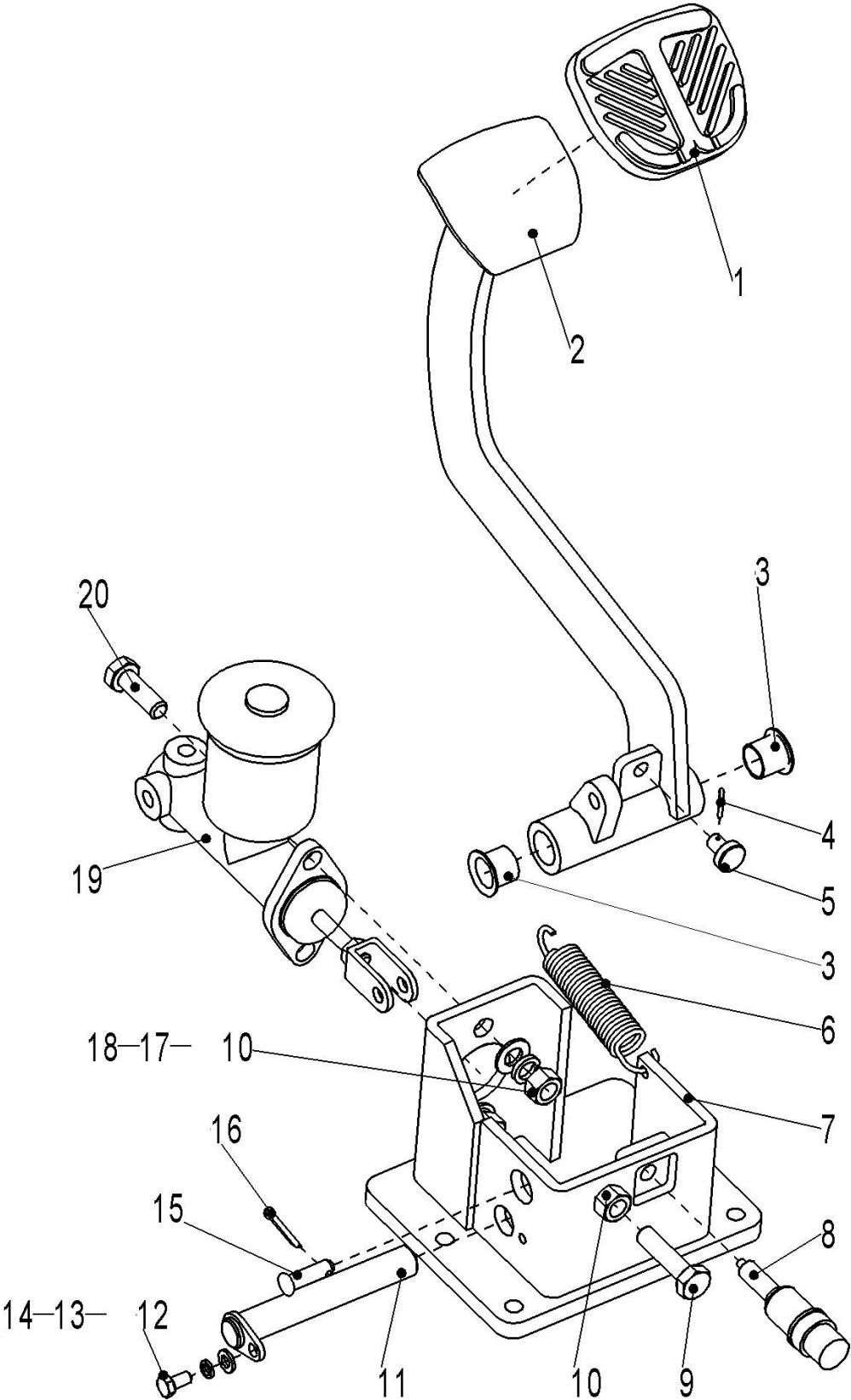


Fig. 21 Foot brake assembly

No.	Art No.	Description	Qty	Note
1	253511520010	Rubber pad	1	
2	212111510003	Platform (lift) welding	1	
3	940500200016	Bushing (with shoulder) Φ16xΦ18x16-SF-1	2	
4	910600600011	Pin GB91-2x12	1	
5	251011520015	Bumper pad	1	
6	275211521013	Tension spring Φ17.5xΦ2.5x95	1	
7	212111510001	Frame welding	1	
8	920201000002	Pedal switch JK231	1	
9	910100300039	Bolt GB5783-M10x40-8.8	1	
10	910300100007	Nut GB6170-M10-10	3	
11	212111510002	Trunnion Ø16x104	1	
12	910400100005	Flat washer GB97.1-6-200HV	1	
13	910400500005	Spring washer GB93-6	1	
14	910100300009	Bolt GB5783-M6x12-8.8	1	
15	910600700026	Pin GB882-B8x28x2	1	
16	910600600026	Pin GB91-3.2x20	1	
17	910400100007	Flat washer GB97.1-10-200HV	2	
18	910400500007	Spring washer GB93-10	2	
19	212111510006	Brake pump assembly	1	
20	910100300037	Bolt GB5783-M10x30-8.8	2	

Fig. 22 Tilt cylinder (left)

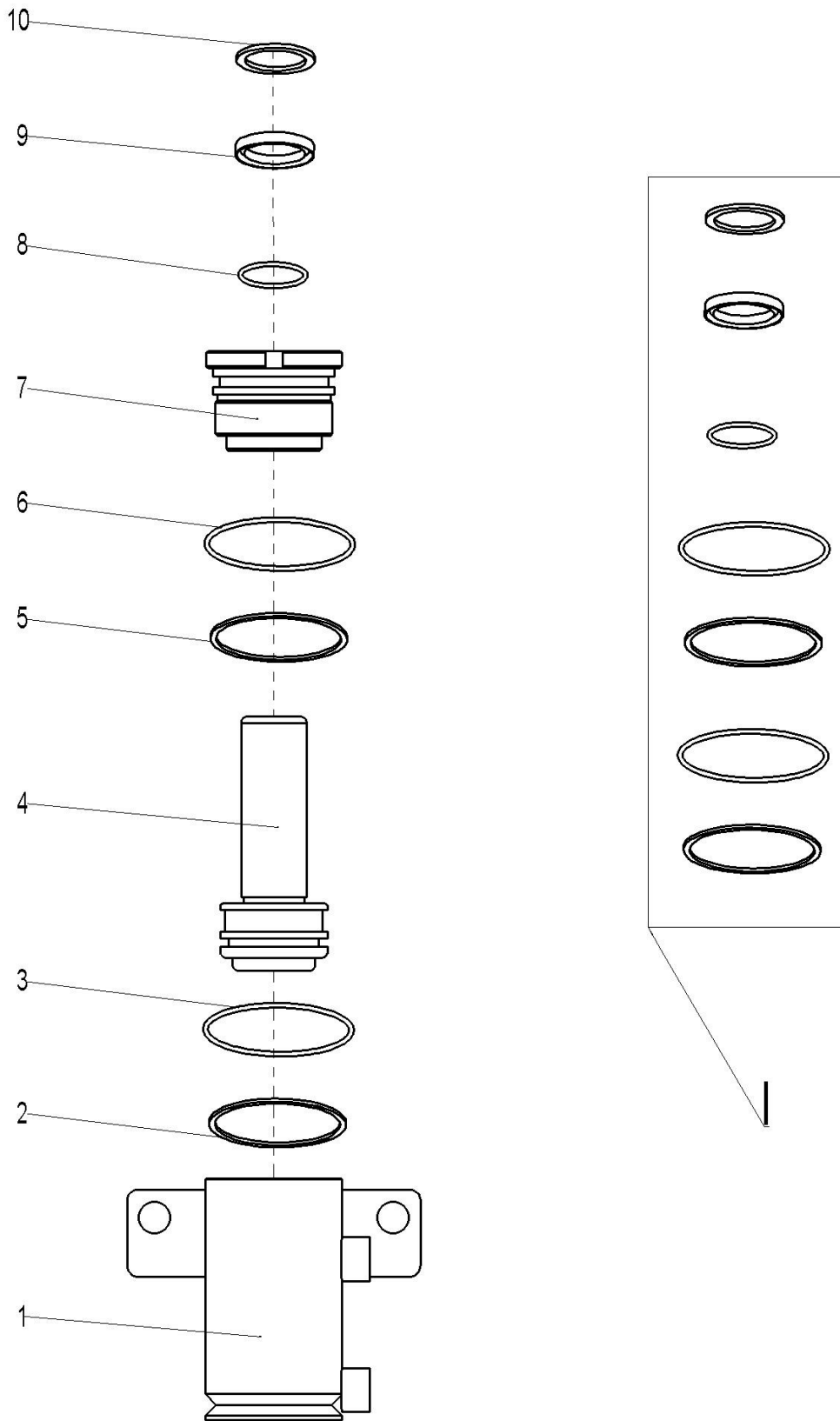


Fig. 22 Tilt cylinder (left)

No.	Art No.	Description	Qty.	Note
1	212198520000	Cylinder welding	1	
2	212198520001	Support ring for hole	1	D50x8x2.5
3	212198520002	Wynseal	1	50x39x4.2
4	212198520003	Piston	1	
5	212198520004	Circlip	1	D50x45.5x1.5
6	212198520005	O ring	1	Ø50x3.1
7	212198520006	Guide sleeve	1	
8	212198520007	Axle seal	1	28x35.5x5
9	212198520008	Circlip	1	D28xØ35.5x3
10	212198520009	Dust proof ring	1	28x36x4.5/6
I	212198510000	Seal assembly	1	

Fig. 23 Tilt cylinder (right)

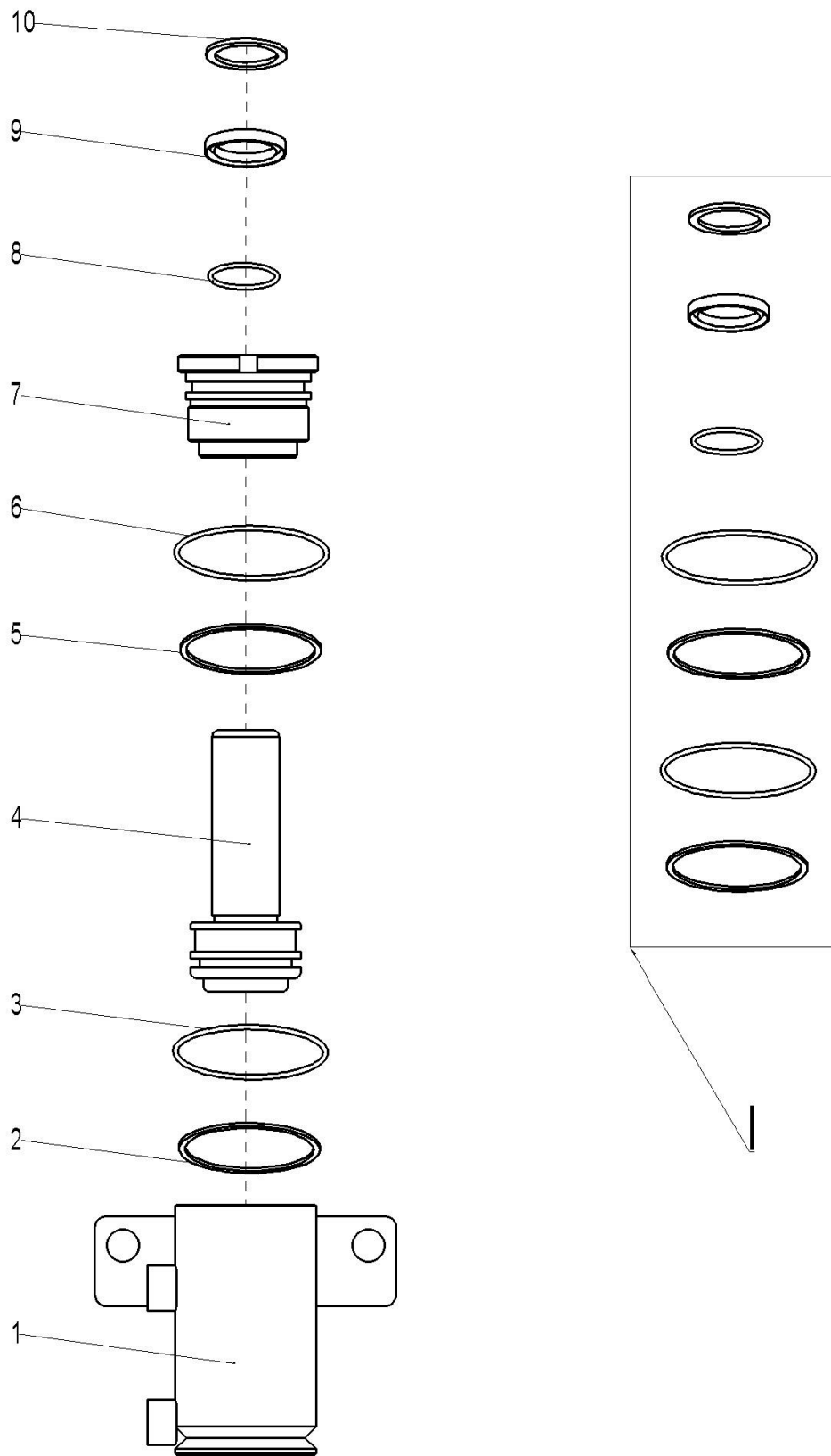


Fig. 23 Tilt cylinder (right)

No.	Art No.	Description	Qty.	Note
1	212198520010	Cylinder welding	1	
2	212198520001	Support ring for hole	1	D50x8x2.5
3	212198520002	Wynseal	1	50x39x4.2
4	212198520003	Piston	1	
5	212198520004	Circlip	1	D50x45.5x1.5
6	212198520005	O ring	1	Ø50x3.1
7	212198520006	Guide sleeve	1	
8	212198520007	Axle seal	1	28x35.5x5
9	212198520008	Circlip	1	D28xØ35.5x3
10	212198520009	Dust proof ring	1	28x36x4.5/6
I	212198510001	Seal assembly	1	

Fig. 24 Cylinder (three stage mast)

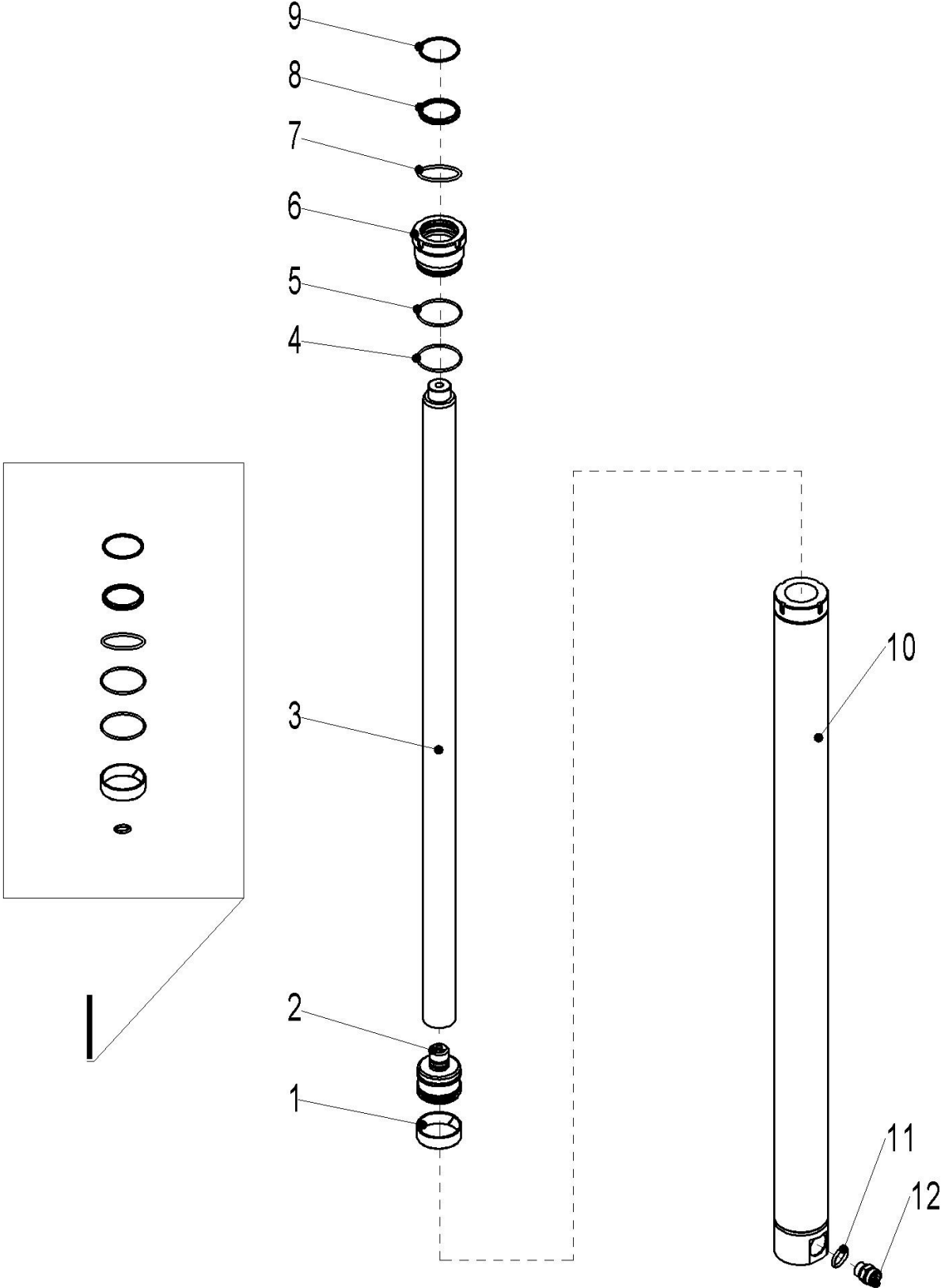


Fig. 24 Cylinder (three stage mast)

No.	Art No.	Description	Qty.	Note
1	212198520011	Support ring for hole	1	D56x20x2.5
2	212198520012	Piston	1	
3	212198520013	Piston rod	1	4500
	212198520070			5000
	212198520071			5500
	212198520072			6000
	212198520073			6500
	212198520074			7000
	212198520075			7500
	212198520076			8000
	212198520077			8500
	212198520078			9000
212198520079	9500			
4	212198520014	O ring	1	50x2.65
5	212198520015	O ring	1	56x2.65
6	212198520016	Guide sleeve	1	
7	212198520017	Circlip	1	Ø45xØ55x3
8	212198520018	Axle seal	1	ISI 45x55x6
9	212198520019	Dust proof ring	1	CE1 45x57x7/10
10	212198520020	Cylinder	1	4500
	212198520080			5000
	212198520081			5500

Fig. 24 Cylinder (three stage mast)

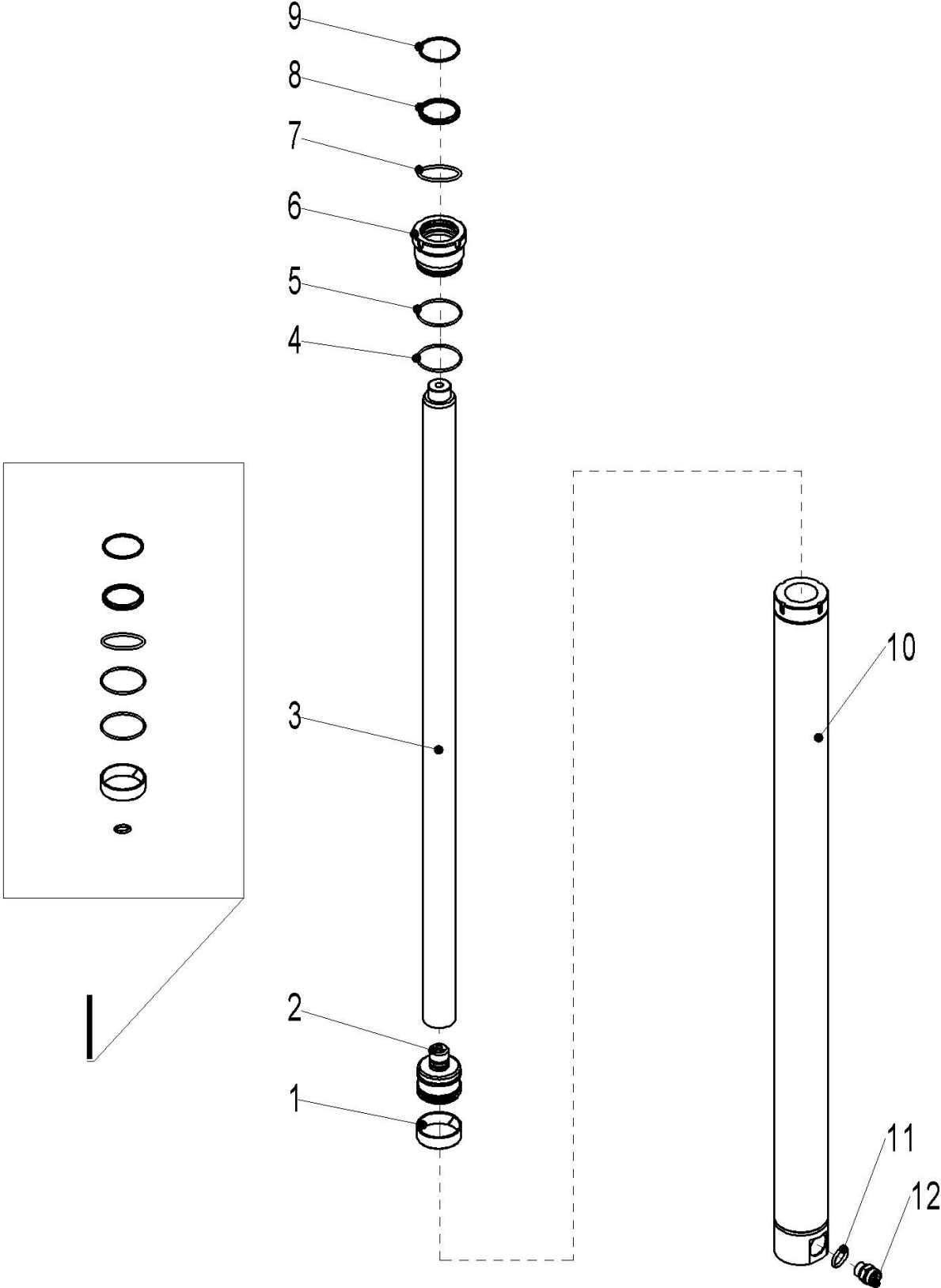


Fig. 24 Cylinder (three stage mast)

No.	Art No.	Description	Qty.	Note
10	212198520082	Cylinder	1	6000
	212198520083			6500
	212198520084			7000
	212198520085			7500
	212198520086			8000
	212198520087			8500
	212198520088			9000
	212198520089			9500
11	212198520021	O ring	1	18x2.65
12	212198520022	Anti-exploding valve	1	
I	212198510002	Seal assembly	1	

Fig. 25 Cylinder (M) (three stage mast)

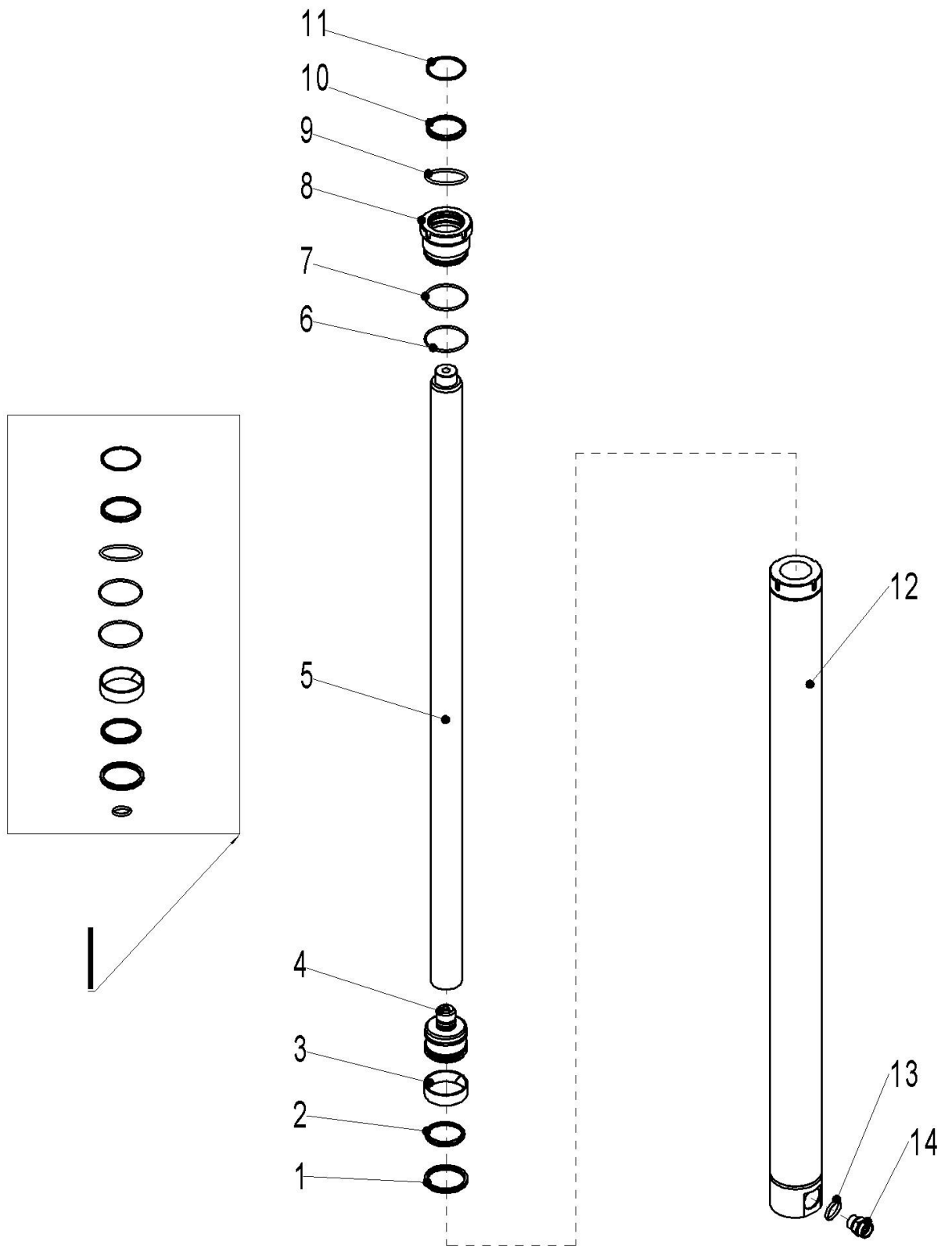


Fig. 25 Cylinder (M) (three stage mast)

No.	Art No.	Description	Qty.	Note
1	212198520023	Hole seal	1	OSI 70x60x6
2	212198520024	Circlip	1	D70xd60x3
3	212198520025	Support ring for hole	1	D70x20x2.5
4	212198520026	Piston	1	
5	212198520090	Piston rod	1	4500
	212198520091			5000
	212198520092			5500
	212198520093			6000
	212198520094			6500
	212198520095			7000
	212198520096			7500
	212198520097			8000
	212198520098			8500
	212198520099			9000
212198520027	9500			
6	212198520028	O ring	1	Ø70x3.1
7	212198520029	O ring	1	Ø75x3.1
8	212198520030	Guide sleeve	1	
9	212198520031	Axle seal	1	ISI 50x60x6
10	212198520032	Circlip	1	D60xd50x3
11	212198520033	Dust proof ring	1	CE1 50x62x7/10
12	212198520034	Cylinder	1	4500

Fig. 25 Cylinder (M) (three stage mast)

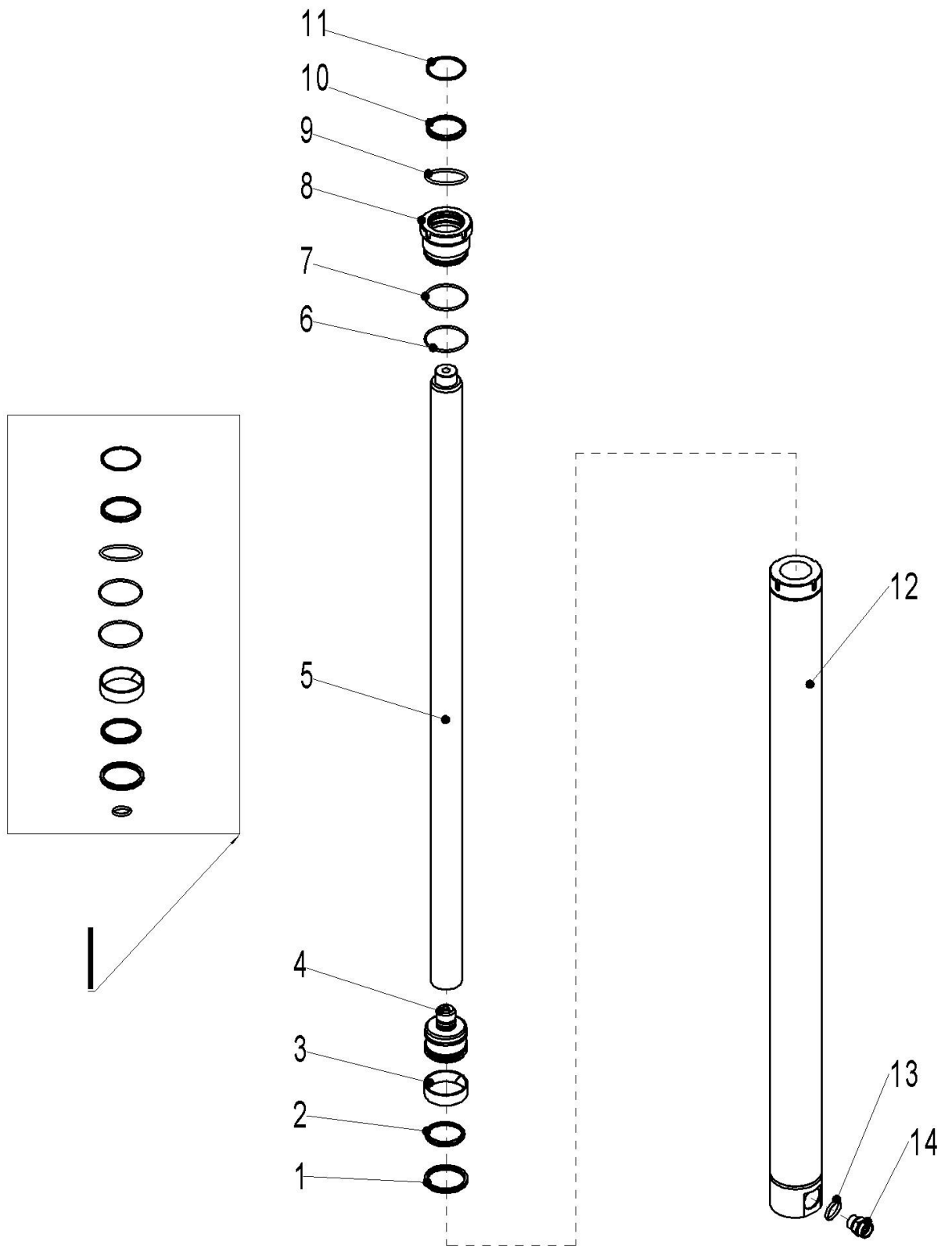


Fig. 25 Cylinder (M) (three stage mast)

No.	Art No.	Description	Qty.	Note
12	212198520100	Cylinder	1	5000
	212198520101			5500
	212198520102			6000
	212198520103			6500
	212198520104			7000
	212198520105			7500
	212198520106			8000
	212198520107			8500
	212198520108			9000
	212198520109			9500
13	212198520035	O ring	1	Ø19×2.65
14	212198520036	Anti-exploding valve	1	
I	212198510003	Seal assembly	1	

Fig. 26 Reach cylinder

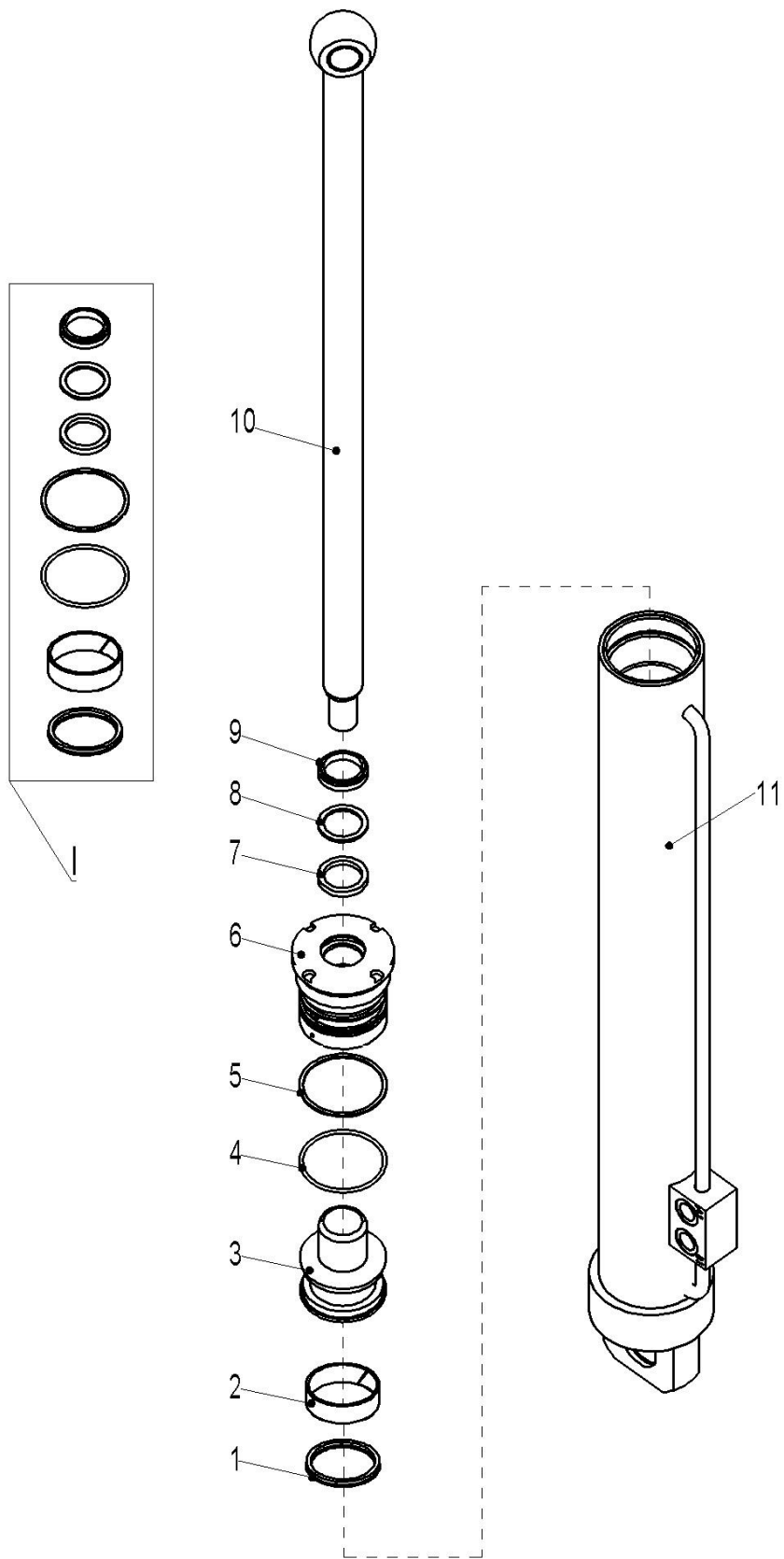


Fig. 26 Reach cylinder

No.	Art No.	Description	Qty.	Note
1	212198520037	Wynseal 63x52x4.2	1	PW4200630-Z20N
2	212198520038	Support ring for hole	1	D63c
3	212198520039	Piston	1	
4	212198520040	O ring 63x3.1	1	GB1235-76
5	212198520041	Circlip	1	Ø63xØ58x1.5
6	212198520042	Cylinder cap	1	
7	212198520043	Axle seal	1	ISI 28x35.5x5
8	212198520044	Circlip	1	Ø28xØ35.5x3
9	212198520045	Dust proof ring	1	LBH 28x36x4.5/6
10	212198520110	Piston rod	1	
11	212198520111	Cylinder	1	
I	212198510004	Seal assembly	1	

Fig. 27 Drive unit

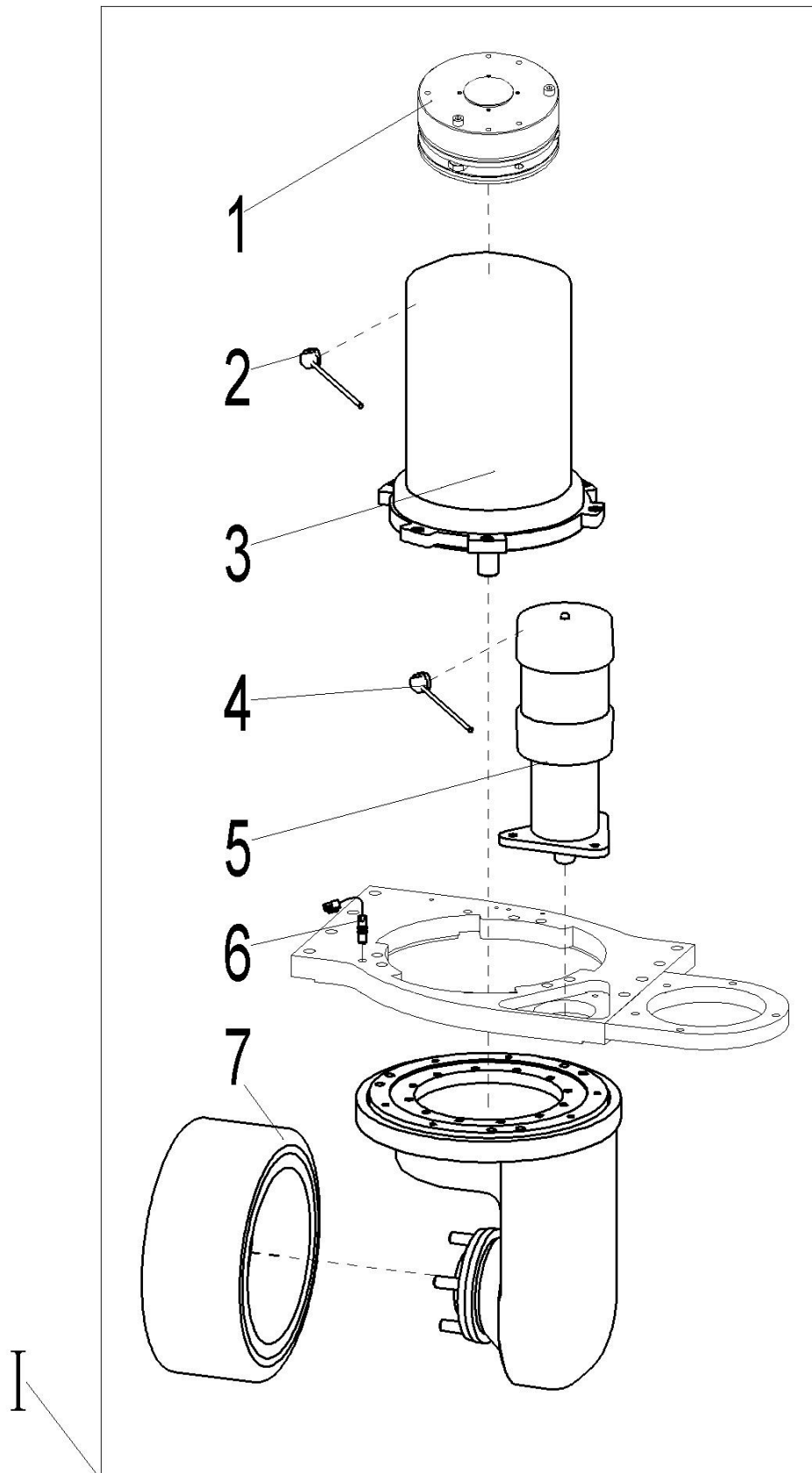


Fig. 27 Drive unit

No	Art No.	Description	Qty	Note
1	940700100003	Electromagnetic brake	1	BFK457-14-42v60N
2	921800200011	Programmer 50086968	1	Driving motor
3	920900100067	Motor (AC) TSA200-140-230	1	1755r/min
4	921800200012	programmer50087121	1	Steering motor
5	940900800001	AC steering assembly	1	TB10-106-AC-0.67KW
6	212133510010	Proximity switch NBb4-12GM50-e2(300mm)	1	
7	940300400011	Drive wheel Φ343x140-5710.4510.02	1	
1	940900600009	Drive steering assembly	1	4633.604.101-AC-6.4KW

Fig. 28 Lifting motor unit

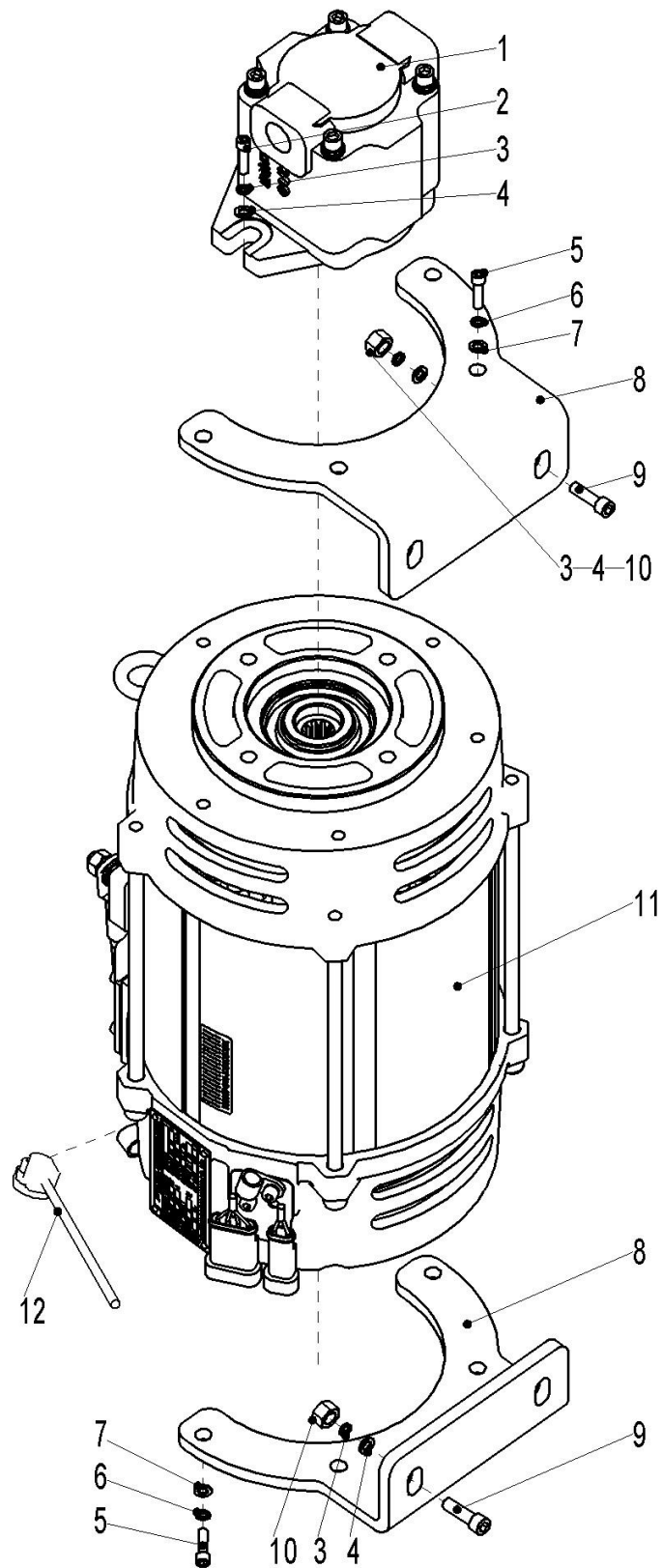


Fig. 28 Lifting motor unit

N o.	Art No.	Description	Qty.	Note
1	950800200002	Gear DSG05C20F9H1-R237C	1	
2	910200200077	Screw GB70.1-M10x30-8.8	2	
3	910400500007	Spring washer GB93-10	6	
4	910400100007	Flat washer GB97.1-10-200HV	6	
5	910200200057	Screw GB70.1-M8x20-8.8	8	
6	910400500006	Spring washer GB93-8	8	
7	910400100006	Flat washer GB97.1-8-200HV	8	
8	212132520000	Mounting plate	2	
9	910200200079	Screw GB70.1-M10x40-8.8	4	
10	910300100007	Nut GB6170-M10-10	4	
11	920900100027	Motor (AC) YDB12.5-4-6191	1	
12	921800200013	Programmer 5SD.4.21.058	1	

Fig. 29 Electrical control components

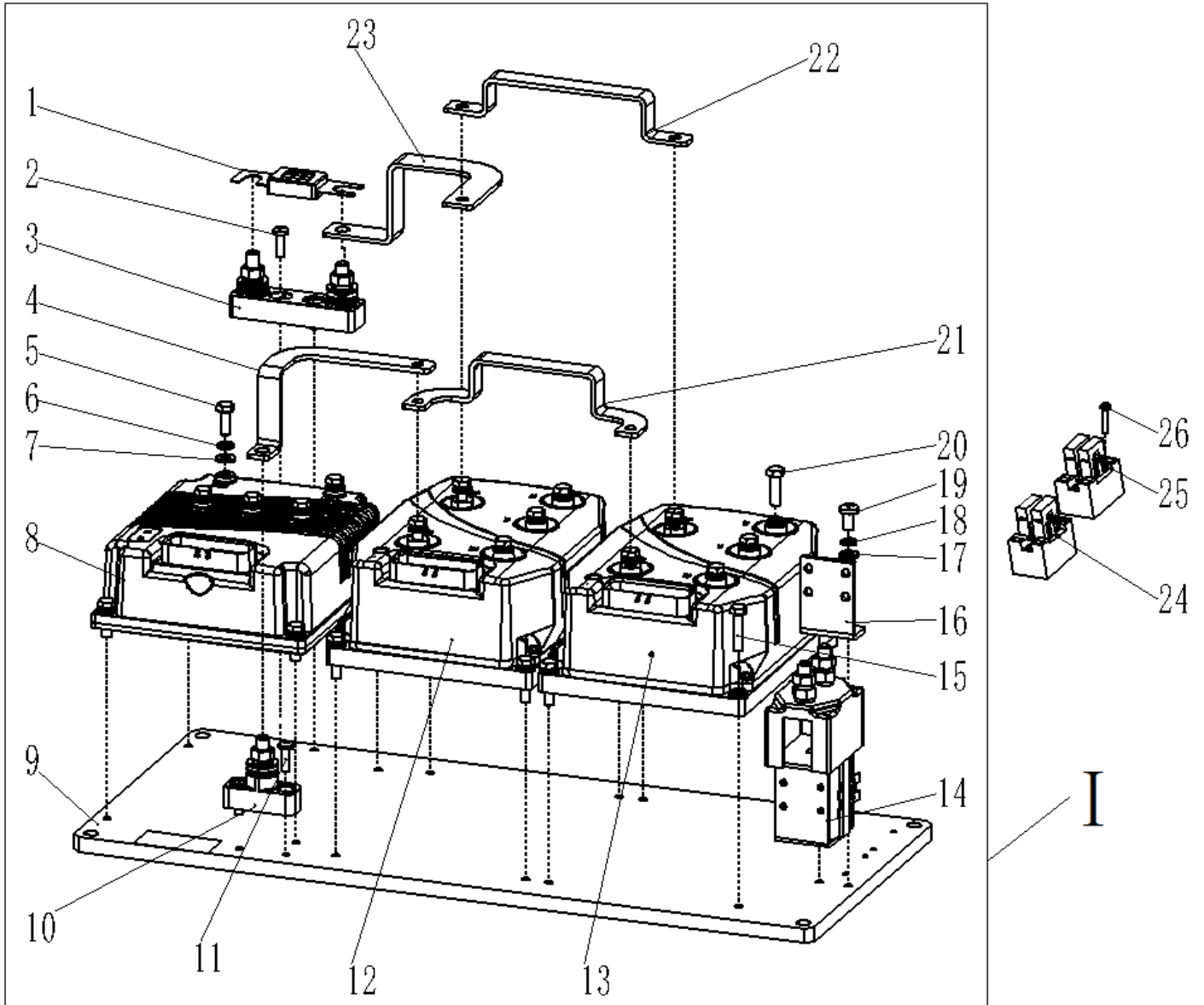


Fig. 29 Electrical control components

No.	Art No.	Description	Qty.	Note
1	920100100014	Fuse	1	500A
2	910200200014	Screw	2	GB70.1-M4x12-8.8
3	920100400002	Fuse seat SYY	1	
4	213033020004	Copper busbar	1	
5	910100300010	Bolt	5	GB5783-M6x16-8.8
6	910400500005	Spring washer	27	GB93-6
7	910400100005	Flat washer	27	GB97.1-6-200HV
8	921400100004	Controller	1	1222-5101
9	213133020000	Aluminium plate	1	
10	920100400001	Fuse seat	1	
11	910200500024	Screw	2	GB818-M4x16-4.8
12	921400100043	Controller	1	1232SE-5321
13	921400100042	Controller	1	1234SE-5421
14	910200500028	Screw	4	GB818-M4x30-4.8
15	910100300012	Bolt	8	GB5783-M6x25-8.8
16	216533020007	Main contactor holder	1	
17	910200500037	Screw	2	GB818-M5x10-4.8
18	910400500004	Spring washer	2	GB93-5
19	910400100004	Flat washer	2	GB97.1-5-200HV
20	910100300011	Bolt	14	GB5783-M6x20-8.8
21	213033020005	Copper busbar	1	
22	213033020006	Copper busbar	1	
23	213033020007	Copper busbar	1	
24	920700100008	Contactor	1	DC48V-SW180B-108
25	920100400004	Fuse seat	2	BD-2x10A
26	920100200002	Fuse	4	10A
I	213133010013	Electrical control components	1	(1232SE+1234SE+1222)

Fig. 30 Wire harness components

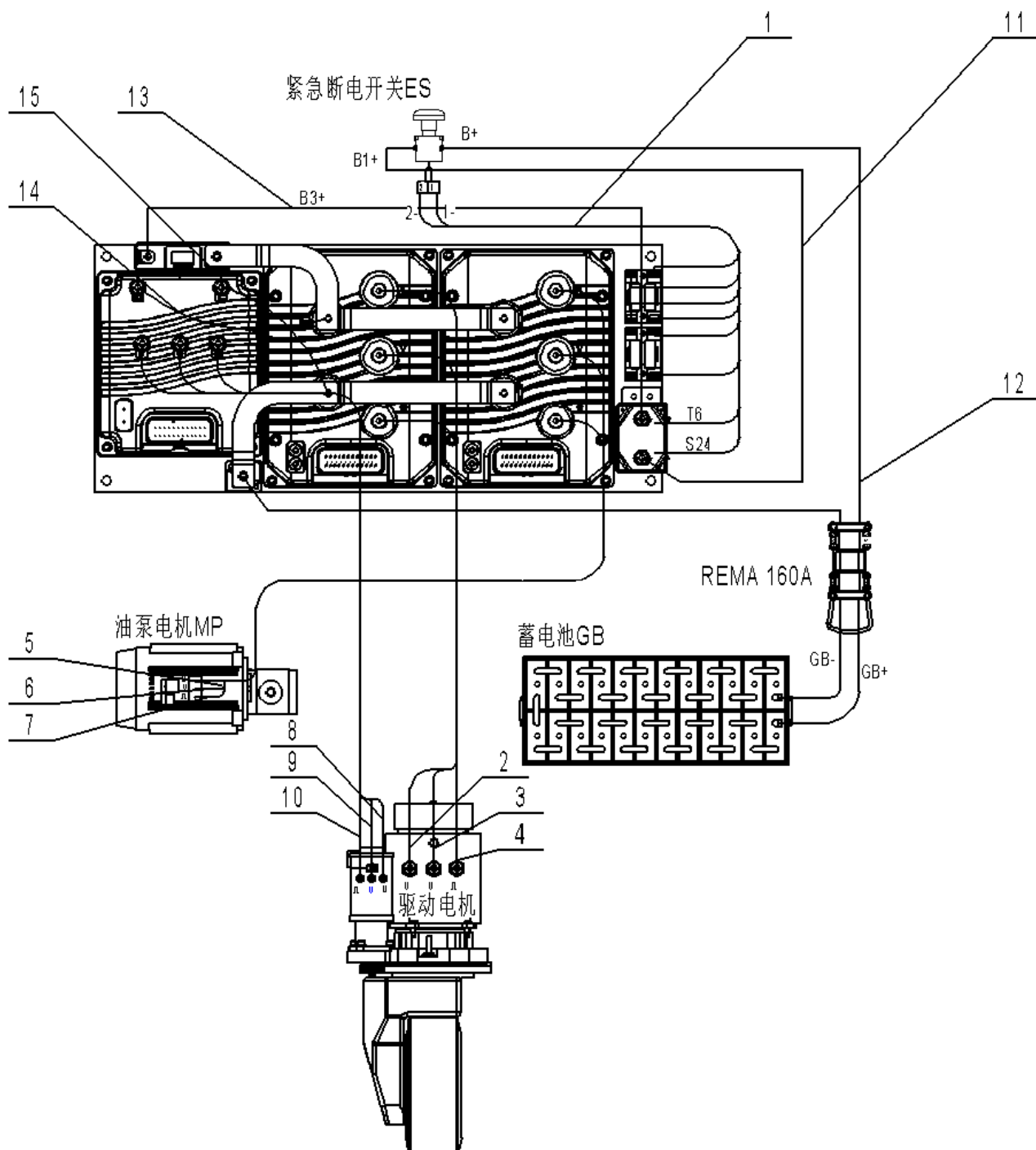


Fig. 30 Wire harness components

No.	Art No.	Description	Qty.	Note
1	213133010000	Main control wire harness (1232SE+1234SE+1222+1353)	1	
2	212133010001	Cable-UT-35-6-8-2000	1	
3	212133010002	Cable-VT-35-6-8-1950	1	
4	212133010003	Cable-WT-35-6-8-1900	1	
5	212133010004	Cable-UP-35-6-8-1250	1	
6	212133010005	Cable-VP-35-6-8-1250	1	
7	212133010006	Cable-WP-35-6-8-1250	1	
8	212133010007	Cable-US-6-5-6-2150	1	
9	212133010008	Cable-VS-6-5-6-2150	1	
10	212133010009	Cable-WS-6-5-6-2150	1	
11	213133010014	Cable-B1+-50-8-10-930	1	
12	213133010001	Main power wire harness	1	
13	213133010015	Cable-B3+-50-8-10-1000	1	
14	213033010018	CableB6+-6-6-6-200	1	
15	213033010019	CableB3--6-6-6-150	1	

Fig. 31 Control box assembly

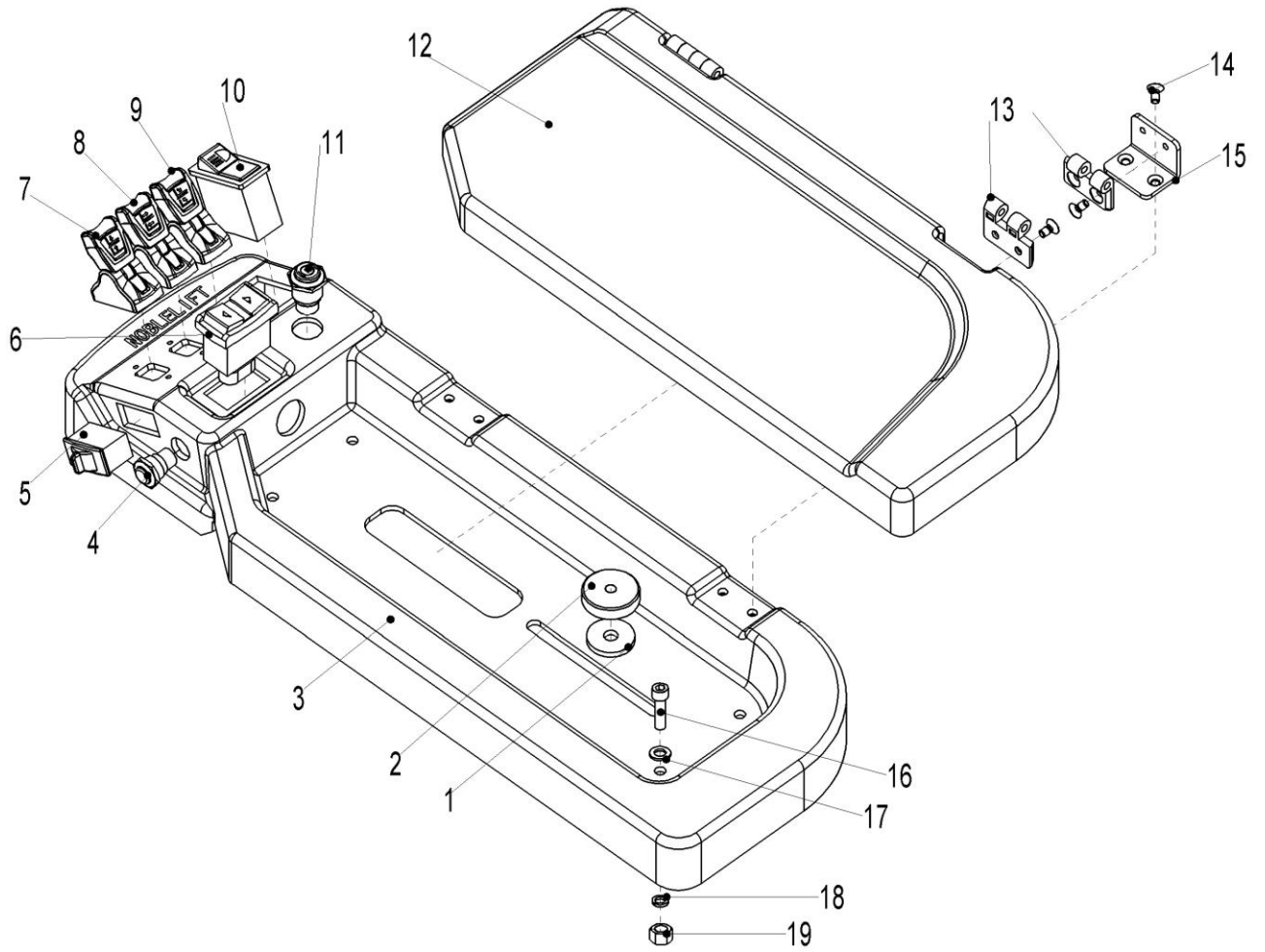


Fig. 31 Control box assembly

No.	Art No.	Description	Qty	Note
1	212110020010	Washer $\Phi 30 \times \Phi 9 \times 4$	1	
2	212110020028	Lock grip	1	
3	212110020003	Protective cover (control box)	1	
4	920200700003	Button switch GQ16H-10	1	
5	212133510017	Finger switch JC050	1	Left/ right side shift
6	920200800018	Rocker switch YB-nuoli-001	1	
7	212133510014	Finger switch JFTA6C000GYK0078	1	Lifting/ lowering
8	212133510015	Finger switch JFTA6C000GYK0078	1	Move forwards/ backwards
9	212133510016	Finger switch JFTA6C000GYK0078	1	Tilt up/down
10	920200800008	Rocker switch JK932-052-4.13	1	
11	212133510013	Button switch QN19-C-P(100mm)	1	
12	212110010000	Wrist pad	1	
13	940801300003	Hinge CL40-1 40x50	2	
14	910200600016	Screw GB819.1-M5x12-4.8	12	
15	212110020004	Fixing plate (hinge)	2	
16	910200200036	Screw GB70.1-M6x20-8.8	4	
17	910400100005	Flat washer GB97.1-6-200HV	4	
18	910400500005	Spring washer GB93-6	4	
19	910300100005	Nut GB6170-M6-10	4	

Fig. 32 Lifting/ lowering control panel assembly

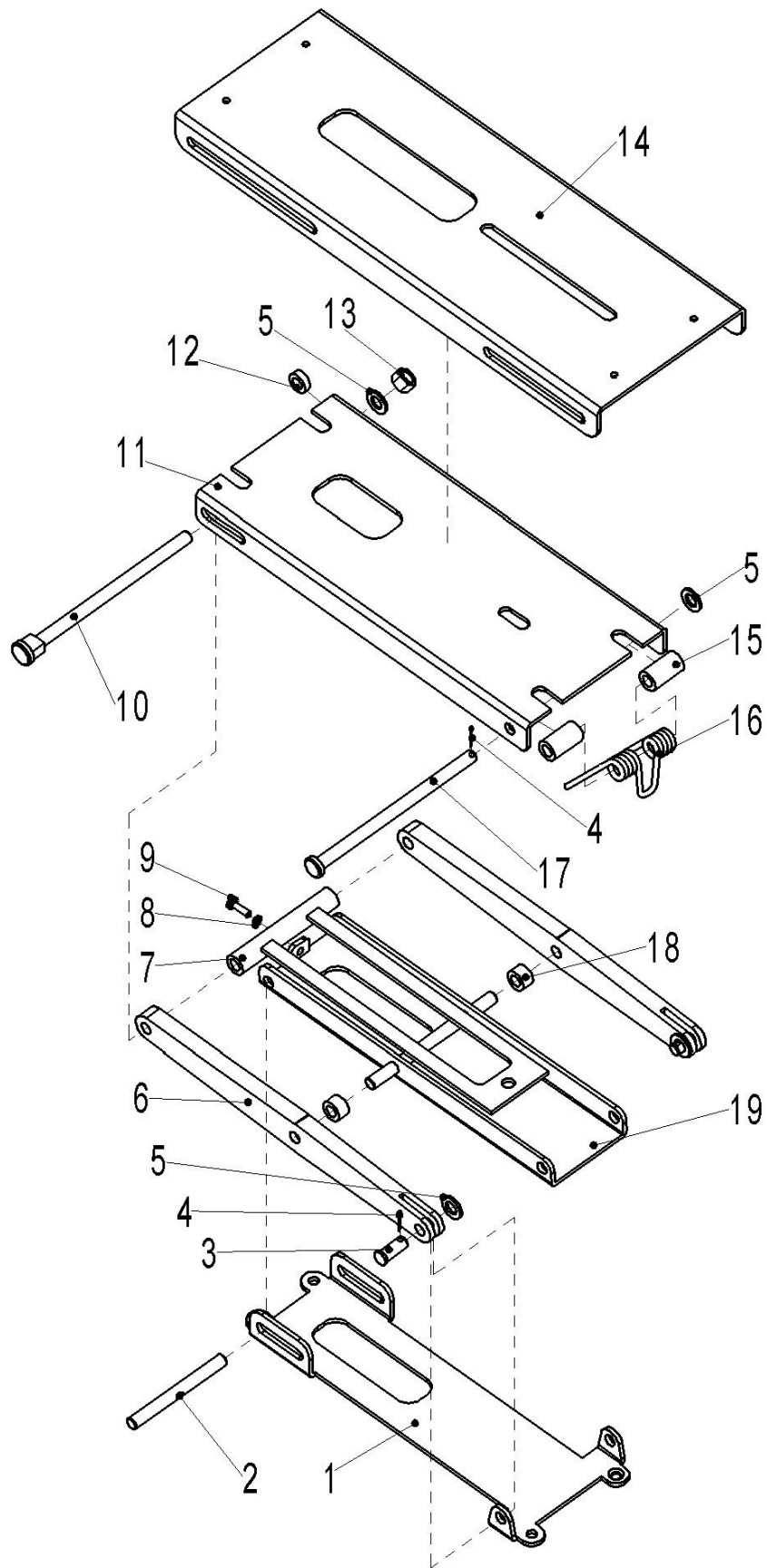


Fig. 32 Lifting/ lowering control panel assembly

No.	Art No.	Description	Qty	Note
1	212110020012	Bottom plate	1	
2	212110020008	Axle $\Phi 8 \times 80$	1	
3	212110020016	Pin $\Phi 8 \times 19$	2	
4	910600600026	Pin GB91-3.2x20	3	
5	910400100006	Flat washer GB97.1-8-200HV	4	
6	212110020011	Fork plate (outer)	2	
7	212110010001	Lock plate welding	1	
8	910400500003	Spring washer GB93-4	1	
9	910200500022	Screw GB818-M4x12-4.8	1	
10	212110020007	Linking axle	1	
11	212110020006	Sliding plate	1	
12	212110020009	Sleeve $\Phi 14 \times \Phi 8 \times 4.5$	1	
13	910300500004	Nut GB889.1-M8-10	1	
14	212110020005	Upper plate (Lifting panel)	1	
15	212110020013	Sleeve $\Phi 14 \times \Phi 8 \times 25$	2	
16	212110020027	Torsion spring $\Phi 4.5 \times \Phi 13.5 \times 61.5$	1	
17	212110020014	Pin $\Phi 8 \times 137$	1	
18	212110020015	Sleeve $\Phi 14 \times \Phi 8 \times 8.5$	2	
19	212110010002	Fork plate inner welding	1	

Fig. 33 Brake assembly

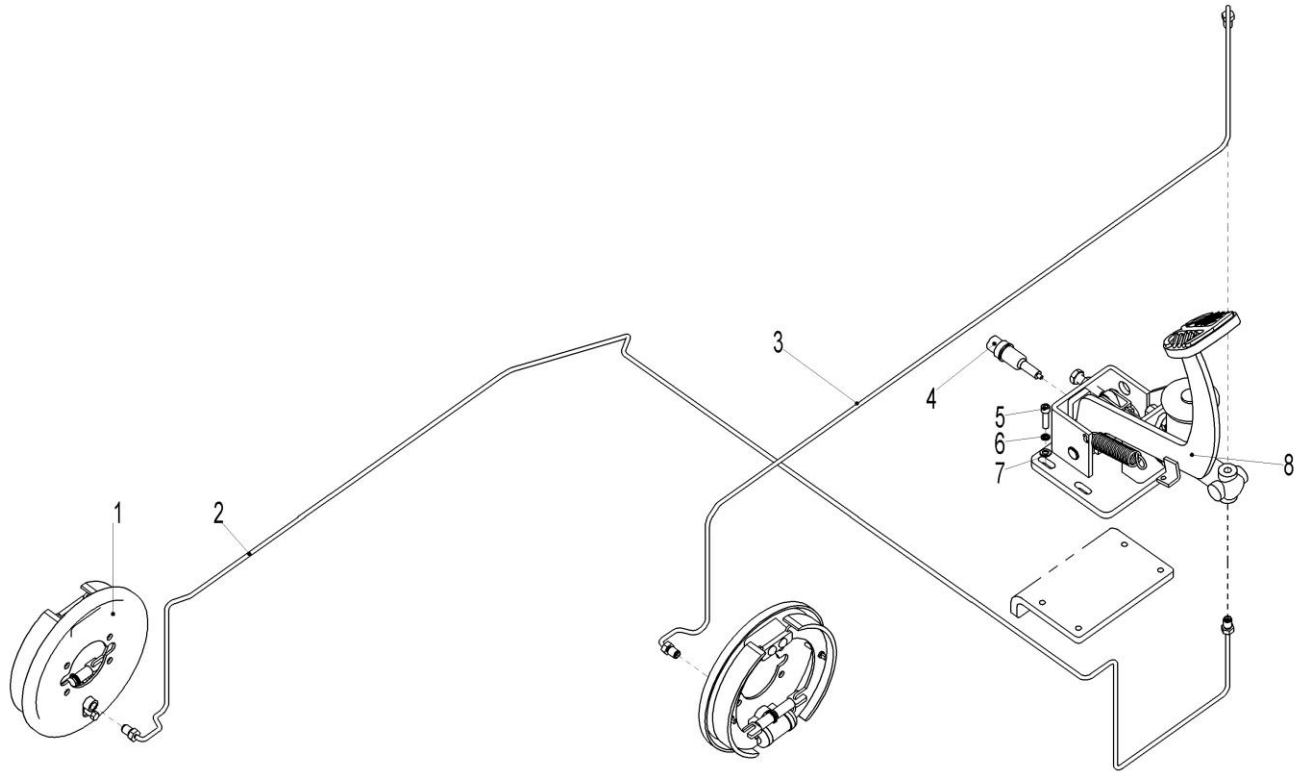


Fig. 33 Brake assembly

No.	Art No.	Description	Qty.	Note
1	940700200003	Rear drum type right brake ZDG2815L-A	2	
2	213111510002	Right steel tube (brake)	1	
3	213111510001	Left steel tube (brake)	1	
4	920201000002	Pedal switch JK231	1	
5	910200200058	Screw GB70.1-M8x25-8.8	4	
6	910400500006	Spring washer GB93-8	4	
7	910400100006	Flat washer GB97.1-8-200HV	4	
8	212111510000	Foot brake assembly	1	

Easy worn parts list

No.	Art No.	Description	Qty.	Note
1	94050010001 2	Bushing $\Phi 20 \times \Phi 22 \times 12$ -SF-1	1	Battery holder
2	25504402013 1	Base plate	4	
3	94050010001 6	Bushing $\Phi 20 \times \Phi 23 \times 14$ -SF-1	1	Mast hydraulic tube
4	94050010007 9	Bushing $\Phi 10 \times \Phi 12 \times 15$ -SF-1	20	
5	94050020001 6	Bushing (with shoulder) $\Phi 16 \times \Phi 18 \times 16$ -SF-1	2	Foot brake assembly
6	94030030003 5	Wheel $\Phi 330 \times 110$ (iron core PU)	2	Load roller assembly
7	21219851000 0	Seal assembly	1	Tilt cylinder (left)
8	21219852000 5	O ring $\text{Ø}50 \times 3.1$	1	
9	21219851000 1	Seal assembly	1	Tilt cylinder (right)
10	21219852000 5	O ring $\text{Ø}50 \times 3.1$	1	
11	21219851000 2	Seal assembly	1	Cylinder (three stage mast)
12	21219852001 4	O ring 50×2.65	1	
13	21219852001 5	O ring 56×2.65	1	
14	21219852002 1	O ring 18×2.65	1	
15	21219851000 3	Seal assembly	1	Cylinder (M)(three stage mast)
16	21219852002 8	O ring $\text{Ø}70 \times 3.1$	1	
17	21219852002 9	O ring $\text{Ø}75 \times 3.1$	1	
18	21219852003 5	O ring $\text{Ø}19 \times 2.65$	1	
19	21219851000 4	Seal assembly	1	Reach cylinder
20	21219852004 1	O ring 63×3.1	1	

21	94020030004 1	Roller kits Φ90.50-range=49.50-53.50	6	Fork frame assembly (three stage mast)
22	94050040001 3	Self-lubricating bearing Φ40xΦ50x19	4	Fork frame assembly (three stage mast)
23	94020030004 0	Roller kits Φ90.10-range=56-60	2	Outer mast assembly (three stage mast)
24	94020030003 9	Roller kits Φ90.20-range=56.5-60.5	4	Middle mast assembly (three stage mast)
25	94020030004 1	Roller kits Φ90.50-range=49.50-53.50	2	Inner mast assembly (three stage mast)
26	94020010004 2	Main roller Φ110xΦ55x32	2	Reach frame assembly
27	94020010000 8	Main roller Φ77.7xΦ35x22.5	4	
28	94030040001 1	Drive wheel Φ343x140-5710.4510.02	1	Drive unit